

**Size**  
<ligne> **10 1/2'''**

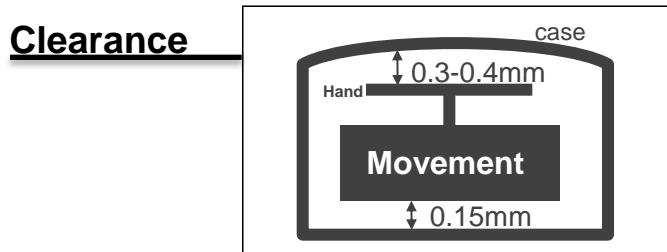
**Height**  
<mm> **3.45** 6P89  
3.85

**Accuracy**  
<per Month> **±20 sec**

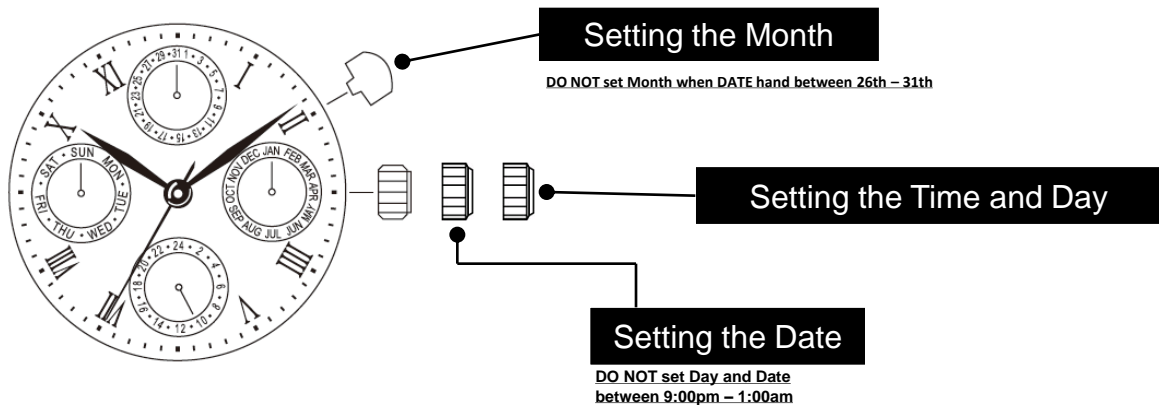
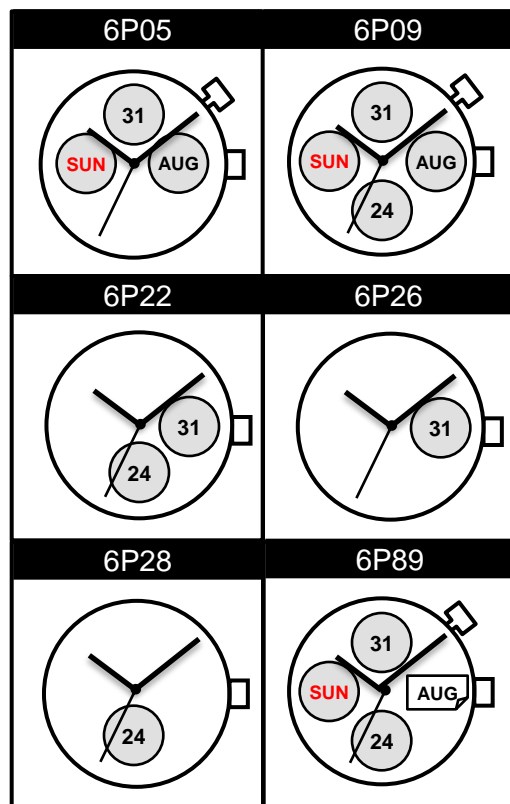
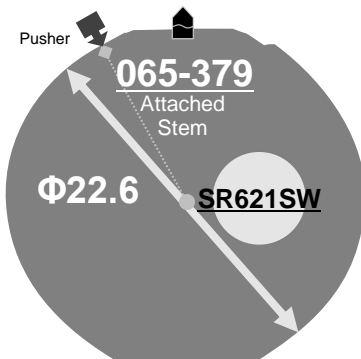
**Battery Life** **3 years**

Battery consumption could be minimum by pulling out the stem (=Power-Saving)

**Balance Weight**  
<μN.m> Minute **0.40**  
Second **0.07**  
Small **0.02**



**Original Package** **1,000pcs**



This drawing is provisional and subject to our reconfirmation and/or revision without notice.

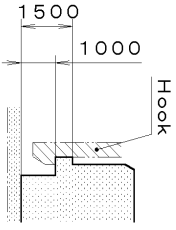
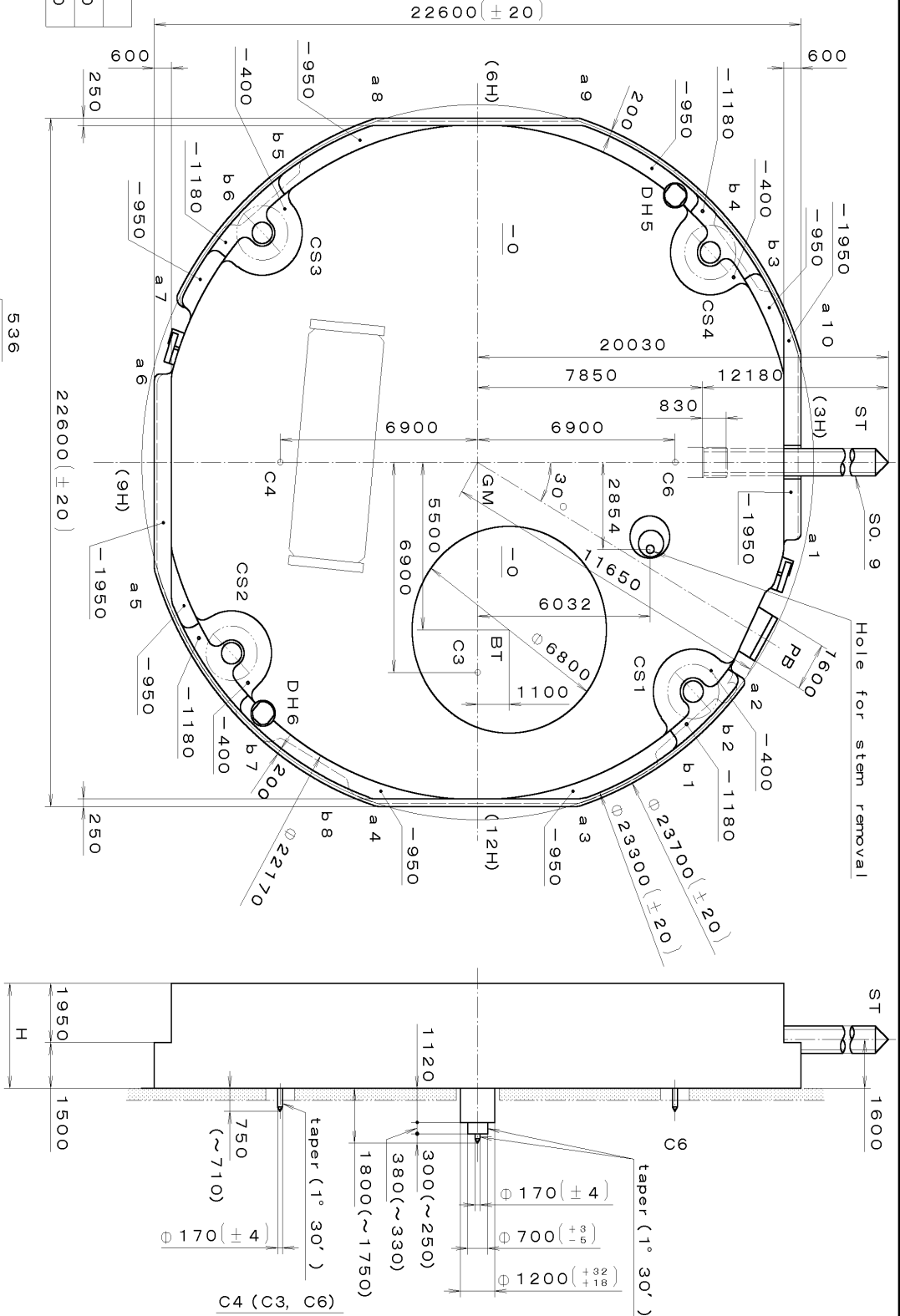
xxx TIPW 6P05 (01) xxx (2100 1121 ) 00-07-19

DH5~DH6=22287 (±20)

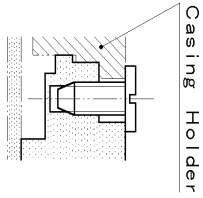
Coordinates

Mark	X	Y	R
GM	0	0	—
DH5	-8759	6900	—
DH6	8251	-7500	—
a1	2351	11100	200
a2	7235	9131	200
a3	10800	3490	500
a4	10800	-3490	500
a5	3490	-10500	500
a6	-2700	-11100	200
a7	-5389	-10216	300
a8	-10800	-3490	500
a9	-10800	3490	500
a10	-3490	10800	500
b1	9581	6360	150
b2	7928	8331	150
b3	-5773	9946	150
b4	-7839	8415	150
b5	-9572	-6374	150
b6	-7916	-8342	150
b7	9196	-6906	150
b8	10501	-4690	150

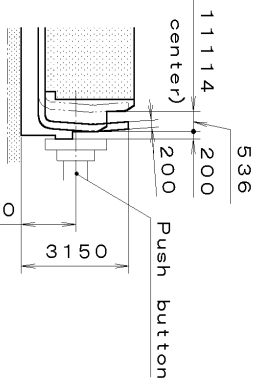
With Battery strap	H
3600	
Without Battery strap	3450



Section b1~b8



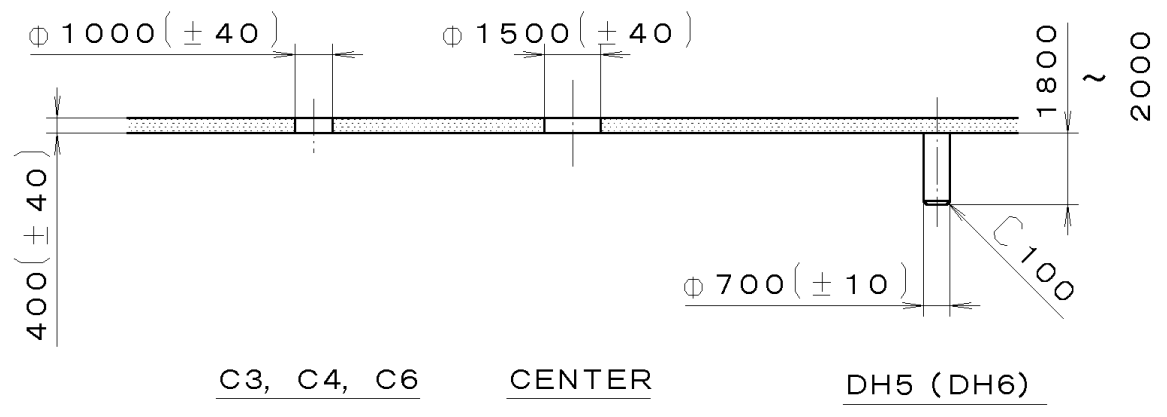
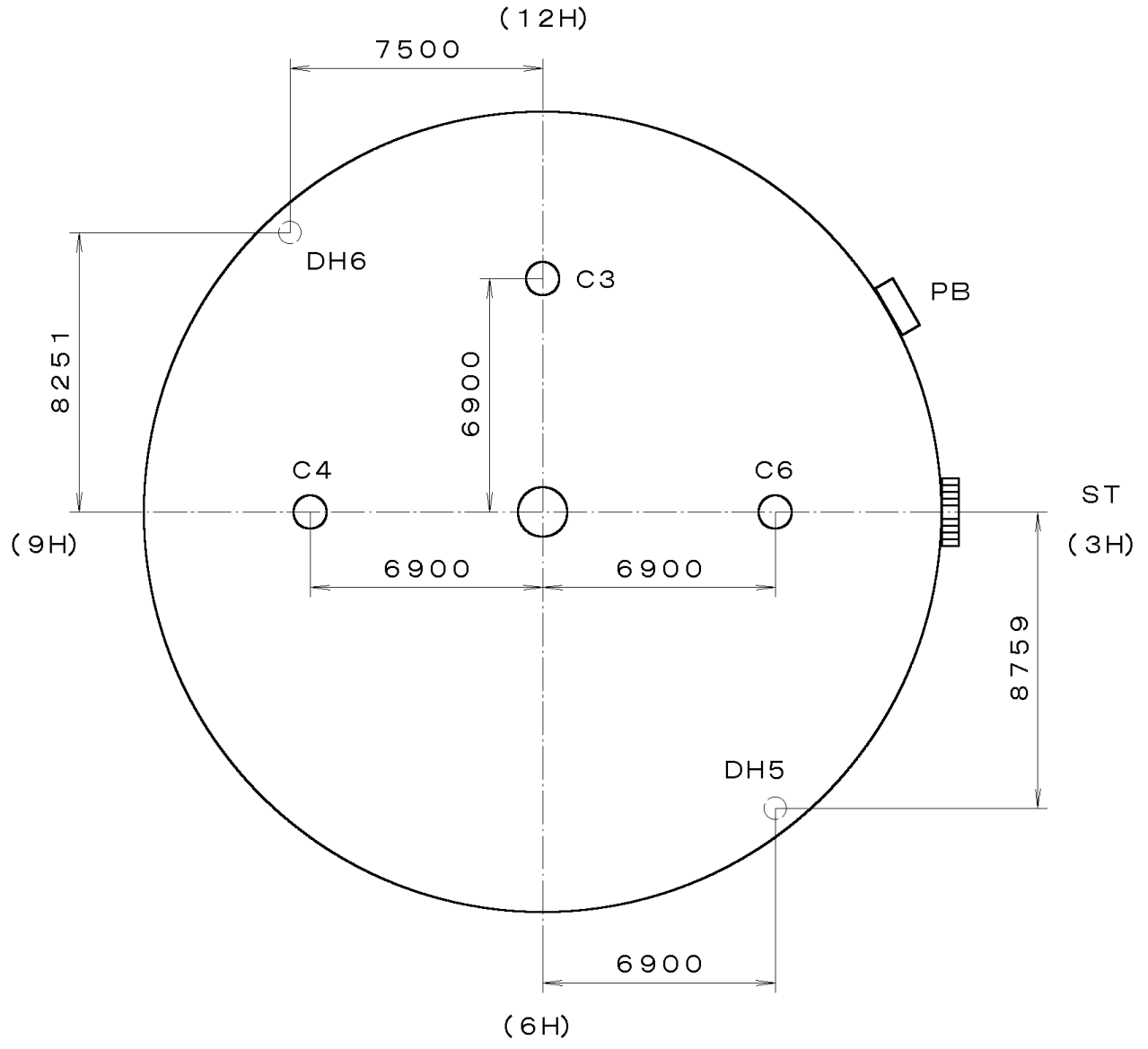
Section CS1~4



Section PB

Material	Quantity	Unit	Cal. No. :
Heat Treatment		1/1000 mm	6P05
Hardness		Scale	Parts:
Plating		7:1	
		Date	
		Drawn	
		Checked	T. Hiruta
		Approved	
		Name:	Frame for Case
		Drawing No.:	6P05C000
		General Tolerances	
		Dimensions	
		Angles	

This drawing is provisional and subject to our reconfirmation and/or revision without notice.

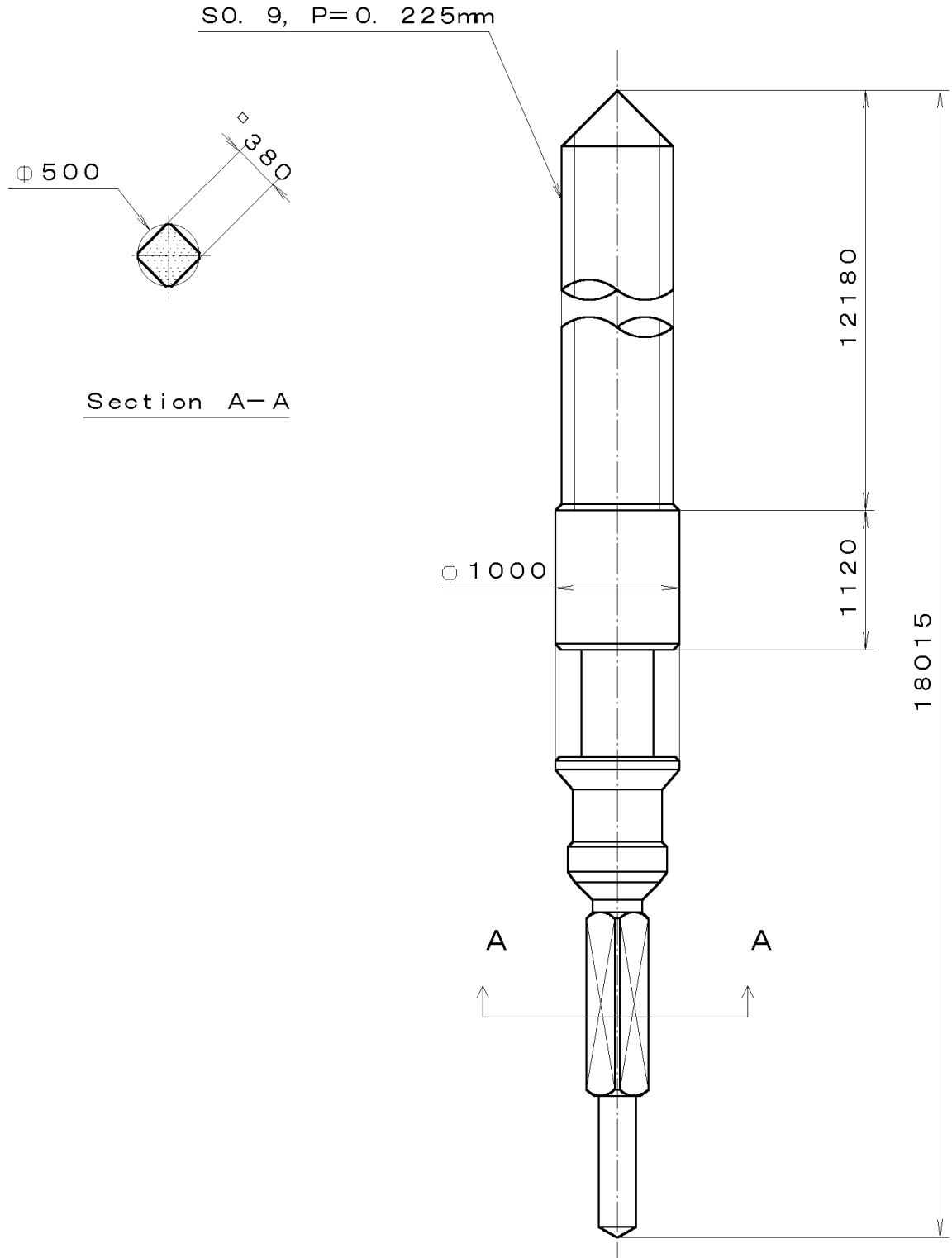


*** T I P W 6P05-00A (01) *** (2100 1121)	7	Quantity			Cal. No. : <b>6P05-00A</b>
	6	Unit	1/1000 mm		
	5	Scale	5:1		Parts:
	4	Date			
	3	Drawn			
	2	Checked	T. Hiruta		Name:
	1	Approved			Indications for Dial
Material					Drawing No. : 6P05D000
Heat Treatment		General Tolerances			
Hardness		Dimensions			
Plating		Angles			

00-07-24

This drawing is provisional and subject to our reconfirmation and/or revision without notice.

065-379 (01) \*\*\* (2100 1121) 00-06-23



7		Quantity		Cal. No. :
6		Unit	1/1000 mm	Parts:
5		Scale	20:1	
4		Date		
3		Drawn		Name:
2		Checked	T. Hiruta	
1		Approved		SETTING STEM
Material				Drawing No. : 3790S000
Heat Treatment		General Tolerances		
Hardness		Dimensions		
Plating		Angles		