



Cal. AL20E

15.3×17.8 mm
H 2.99 mm

Items	Rev.	Page
Specifications	02	1
Appearance	06	2
Casing	01	3
Hand fitting	04	4
Hand setting stem	03	5
Dial	02	6
Casing ring	01	7

Date: 30/Sep./'08

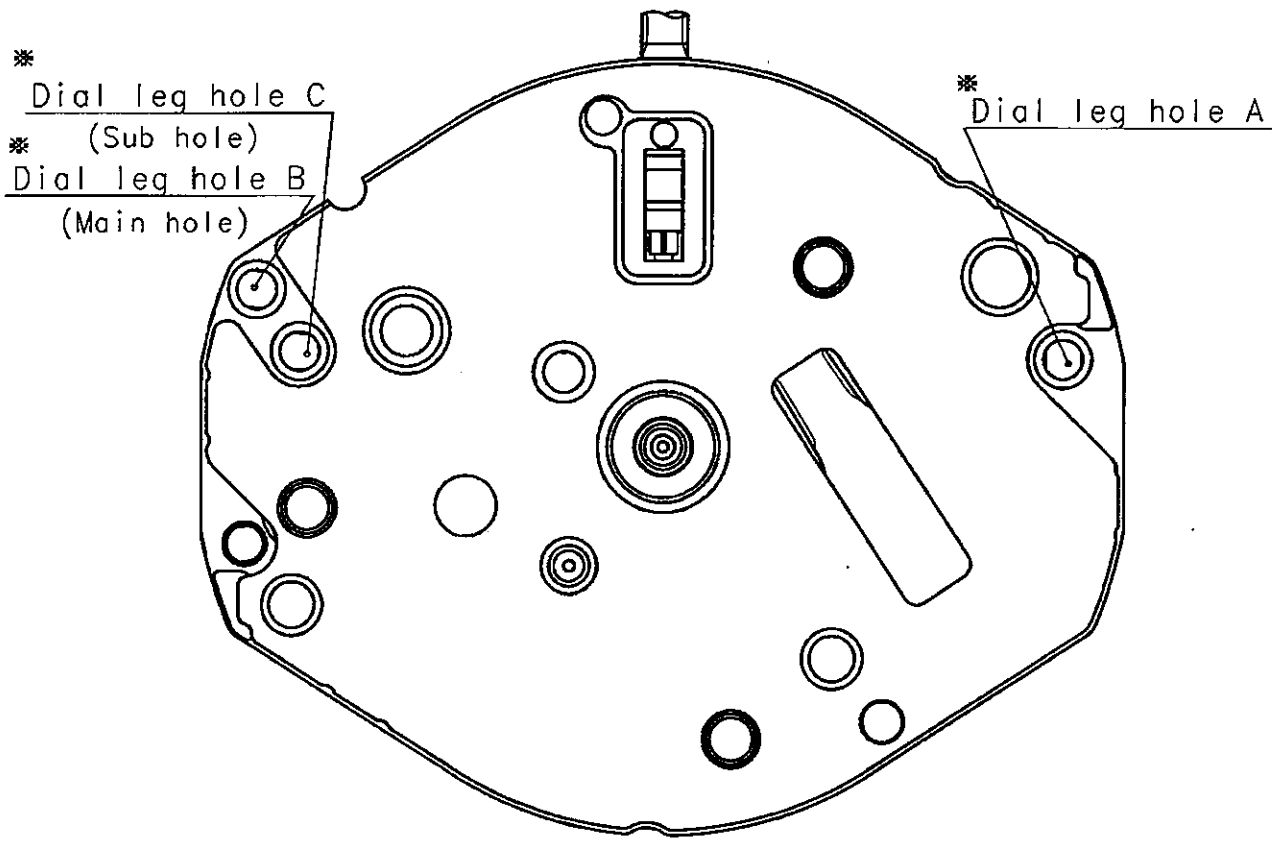
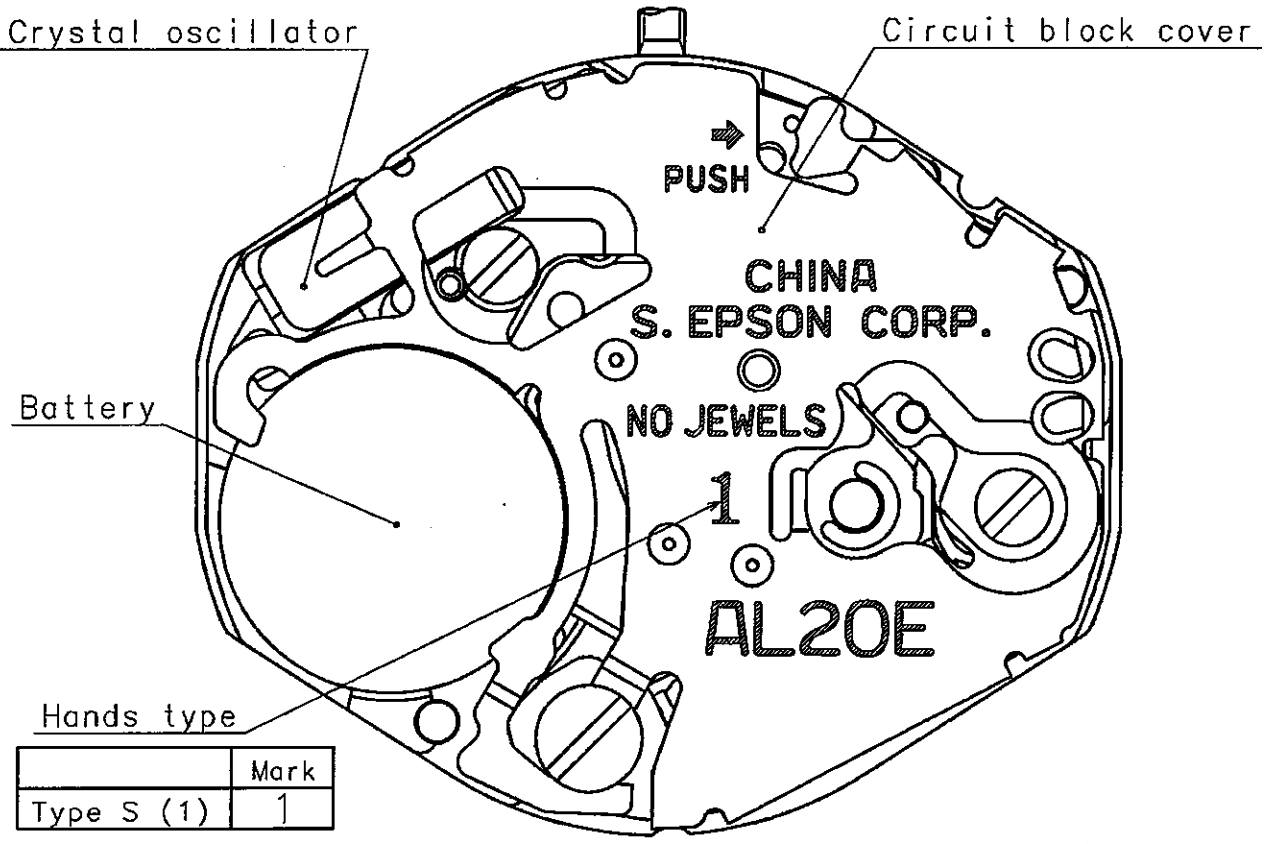
S.EPSON Products

MOVEMENT SPECIFICATIONS

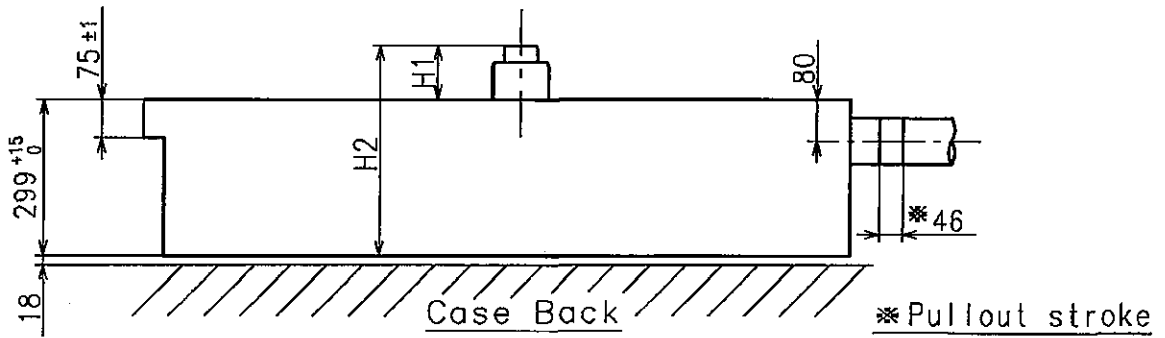
CAL. AL20EAnalog Quartz 6 3/4 × 8^{mm} Standard Series Movement / Two Hands(H/M)

1. MOVEMENT DIMENSIONS
- *Outside diameter 15.30mm(3H-9H) × 18.20mm(12H-6H)
 - *Casing diameter 15.30mm(3H-9H) × 17.80mm(12H-6H)
 - *Total height 2.99mm (including battery)
2. TIME STANDARD
- *Type of quartz oscillator Tuning fork
 - *Frequency of quartz oscillator 32,768 Hz
 - *Accuracy ±20 seconds per month (on wrist)
 - *Operating temperature range -5°C to +50°C
 - *Regulation device Nil (Pre-adjusted)
3. INDICATOR / FUNCTIONS
- *2 Hands Hour / Minute
 - *Setting mechanism Crown at normal position : Free
Crown pulled out 1st click : Time setting / Reset
4. FEATURES
- *Jewels 0 Jewel
 - *Anti-magnetism Over 1600A/m (Direct current magnetic field)
 - *Maximum unbalance of hands Minute hand : 60 mg•mm
Hour hand : 50 mg•mm
5. BATTERY
- *Type / Size Silver oxide battery / φ 6.8mm × t 2.6mm
 - *Recommended battery SR626SW (Maxell, Panasonic, Sony, Seizaiken)
 - *Nominal voltage 1.55 V
 - *Battery life Approx. 2 years
 - *Driving current consumption Approx. 1.5μA
 - *Operation stopping voltage 1.1 V
6. SEPARATED PARTS (Parts code)
- *Hand setting stem 0354788 or 0354787
 - *Battery SR626SW
7. TEST OF ACCURACY
- *Equipment to be used SEIKO quartz tester QT-99,
Greiner quartz timer-C , Witschi Q-tester 4000
 - *Duration of measurement 10 seconds
 - *Microphone to be used Electromagnetic detection type

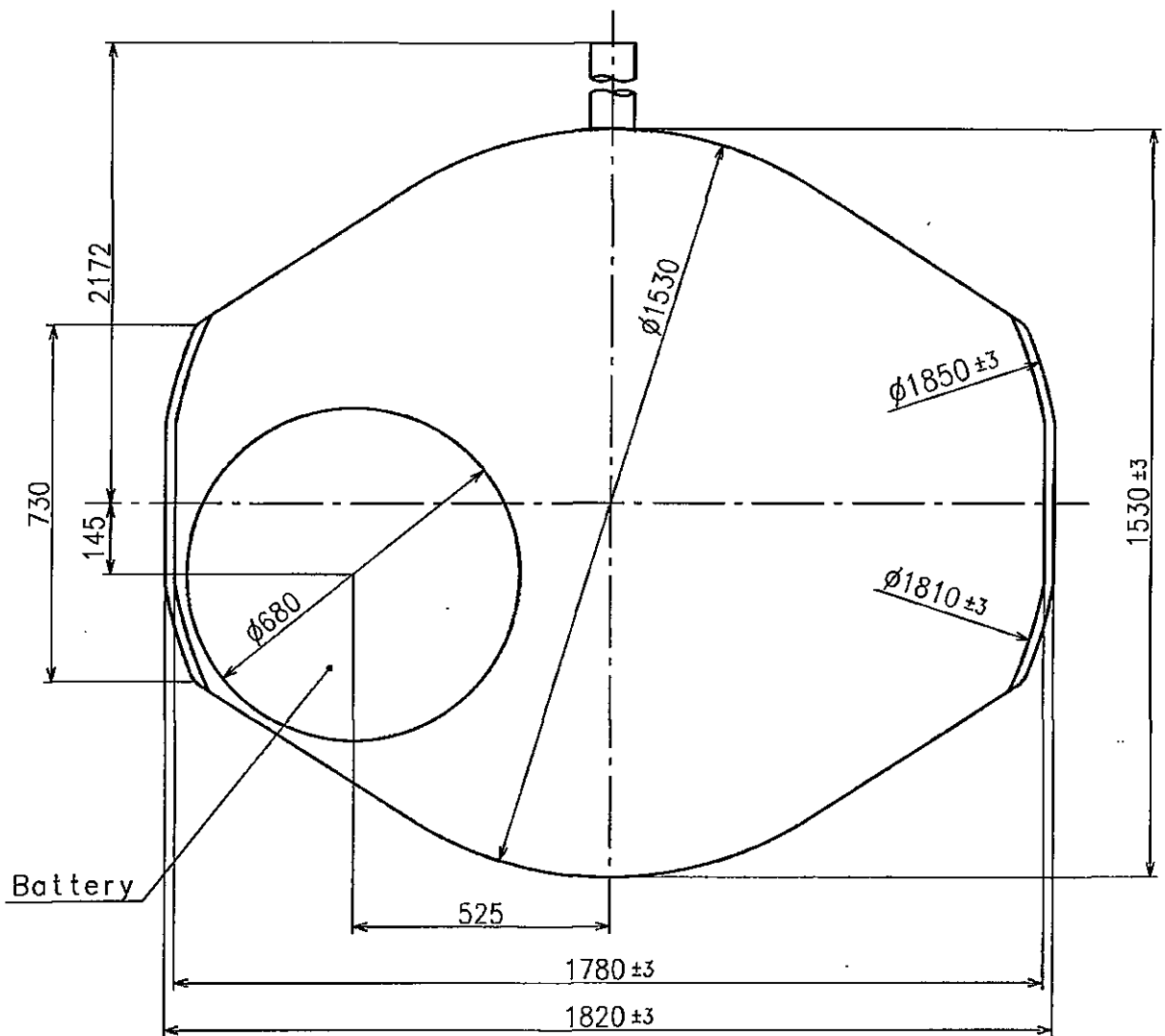
All specifications are subject to change without notice.



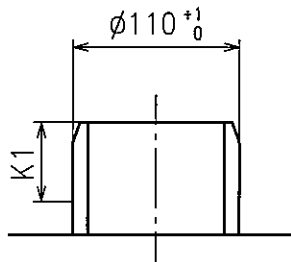
*: Combination of dial leg hole A-B, (A-C)



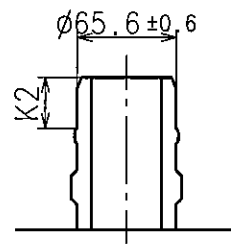
Center post		Type S (1) AL20E1
Maximum height from dial support	H1	118
Total height incl. movement	H2	423



- ※ Minute hand unbalance $\leq 60\mu\text{g} \cdot \text{m} (0.6\mu\text{N} \cdot \text{m})$
- ※ Hour hand unbalance $\leq 50\mu\text{g} \cdot \text{m} (0.5\mu\text{N} \cdot \text{m})$

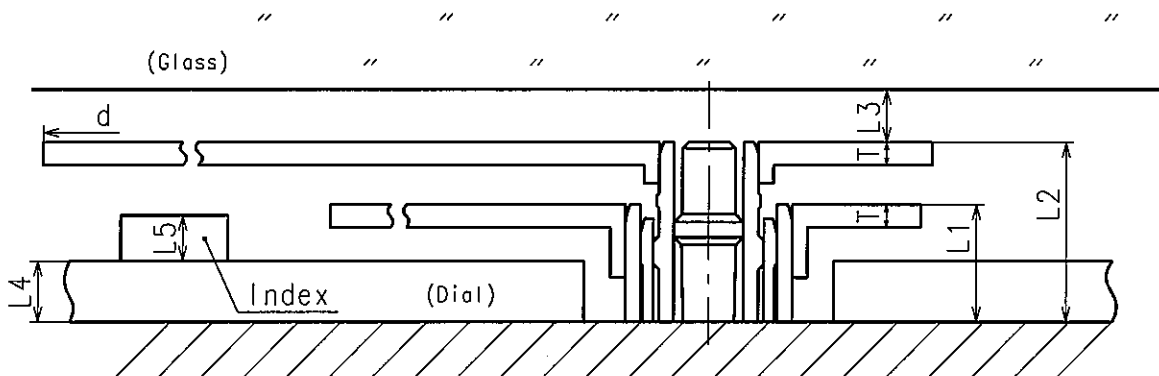


Hour wheel

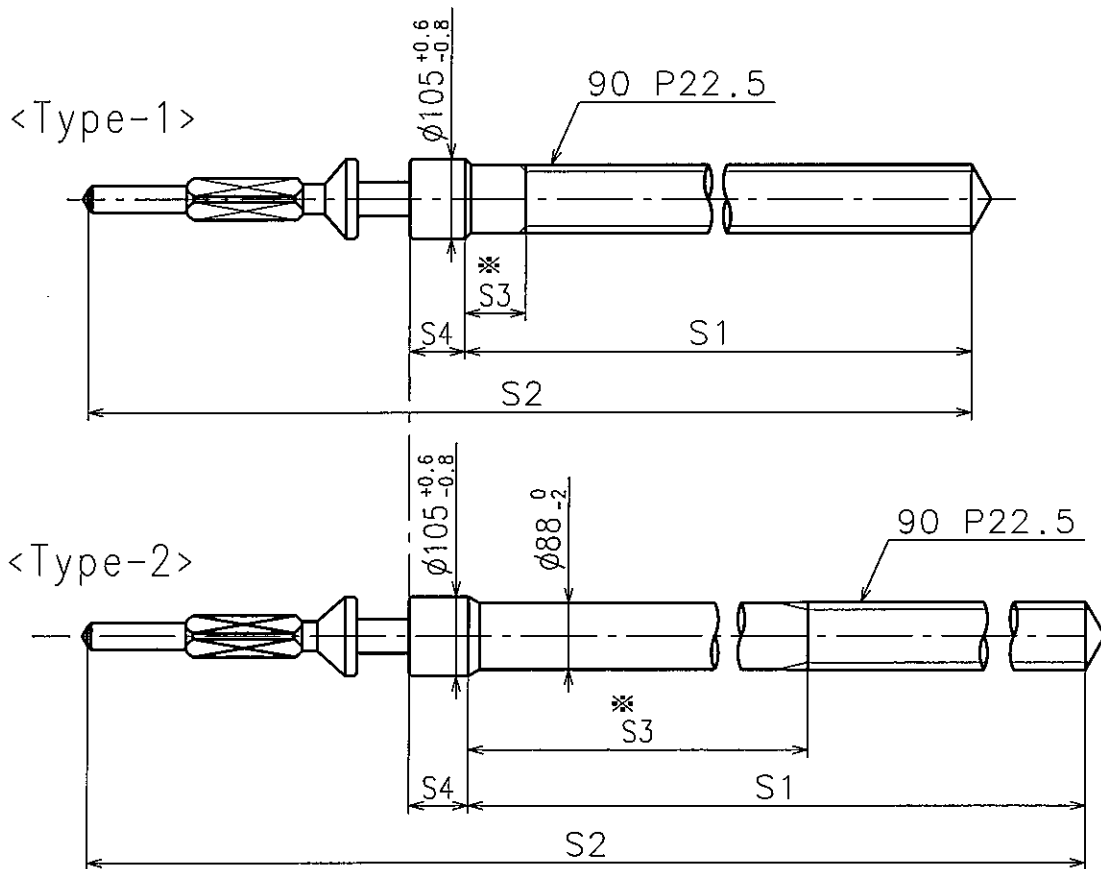


Center wheel

	Parts No.		Dimension	
	Hour wheel	Center wheel	K1	K2
Type S (1) AL20E1	0271796	0221797	52	33.5



	L1	L2	L3	L4	L5	T	d
Type S (1) AL20E1	80	118	MIN: 35	40	MAX: 30	15	MAX: ø2500

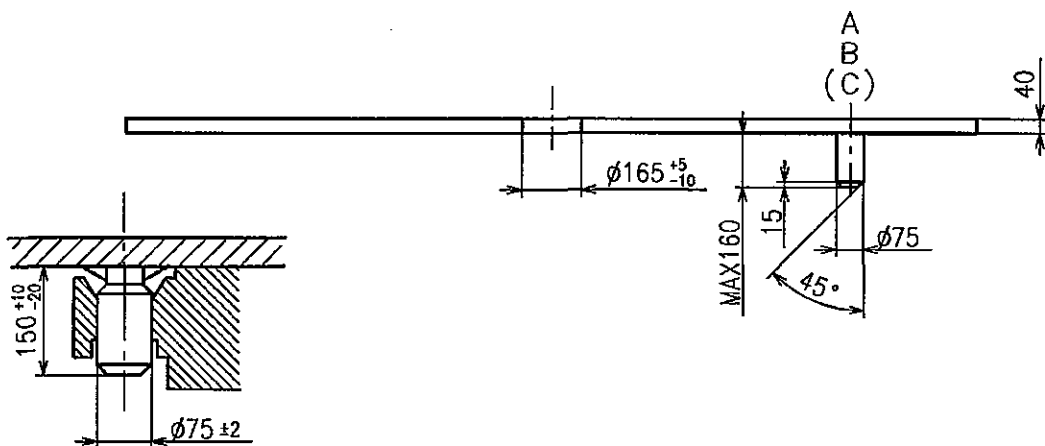
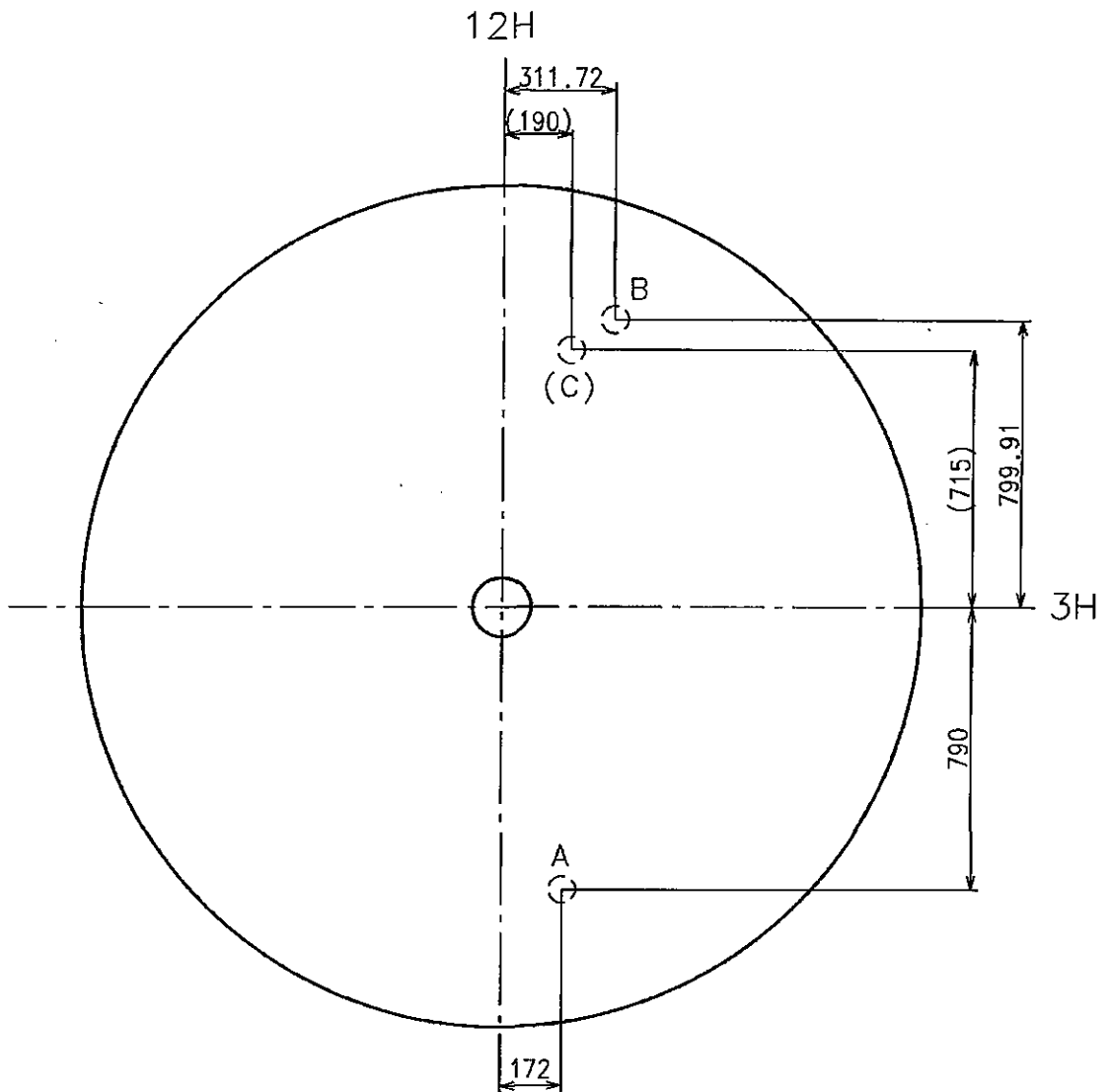


* Not threaded

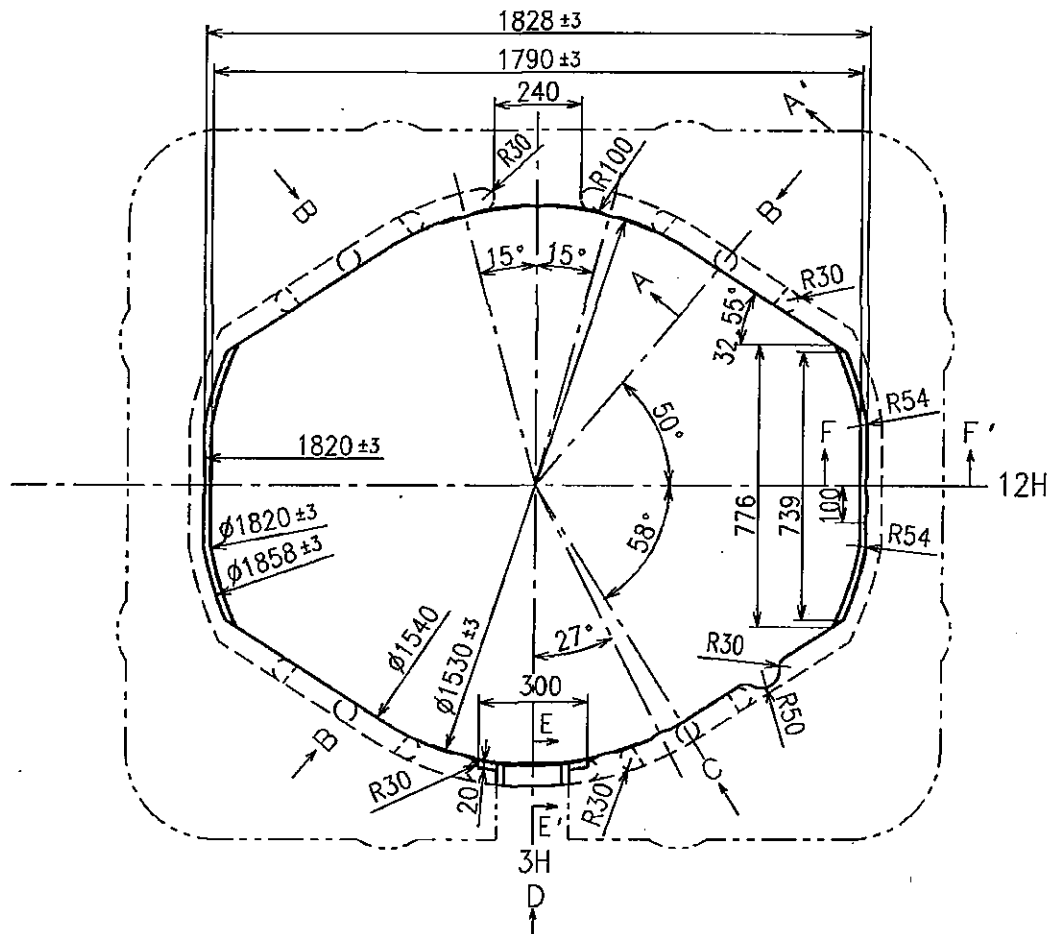
	Part No.	S1	S2	* S3	S4
Type-1 (Standard)	0354788	1427	1925	80	73
Type-2	0354787	1697	2200	887	78

Material : Steel

Hardness : Vickers 530±50



Use dial leg hole as like below A-B(Main hole) , A-C(Sub hole)

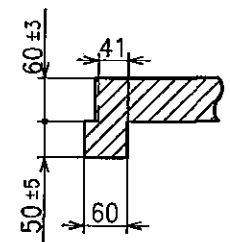
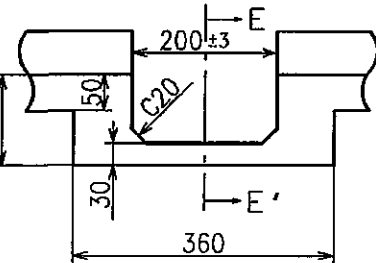
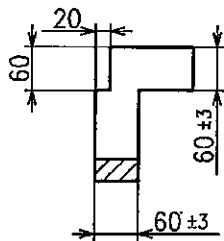
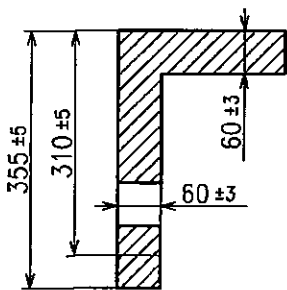


A-A' section

E-E' section

D view

F-F' section



B view

C view

