

4S20

MIYOTA

Size
<ligne> 4'''

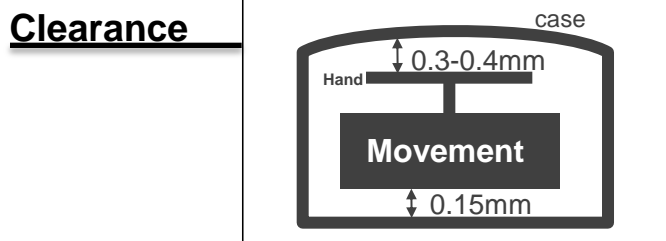
Height
<mm> 2.95

Accuracy
<per Month> ± 15 sec

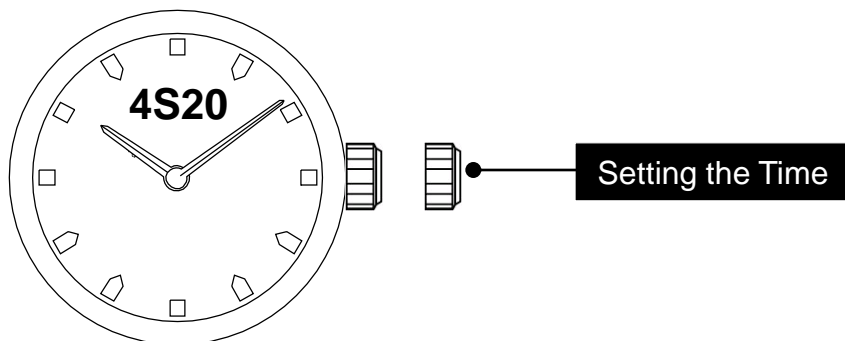
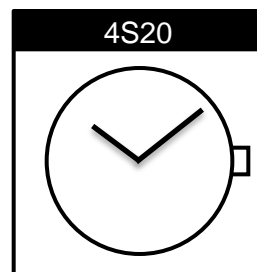
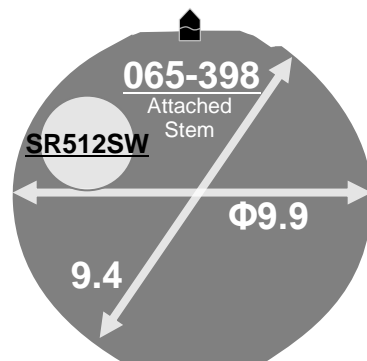
Battery Life
2 years

Battery consumption could be minimum
by pulling out the stem (=Power-Saving)

Balance Weight
< μ N.m> Hour 0.10
Minute 0.065

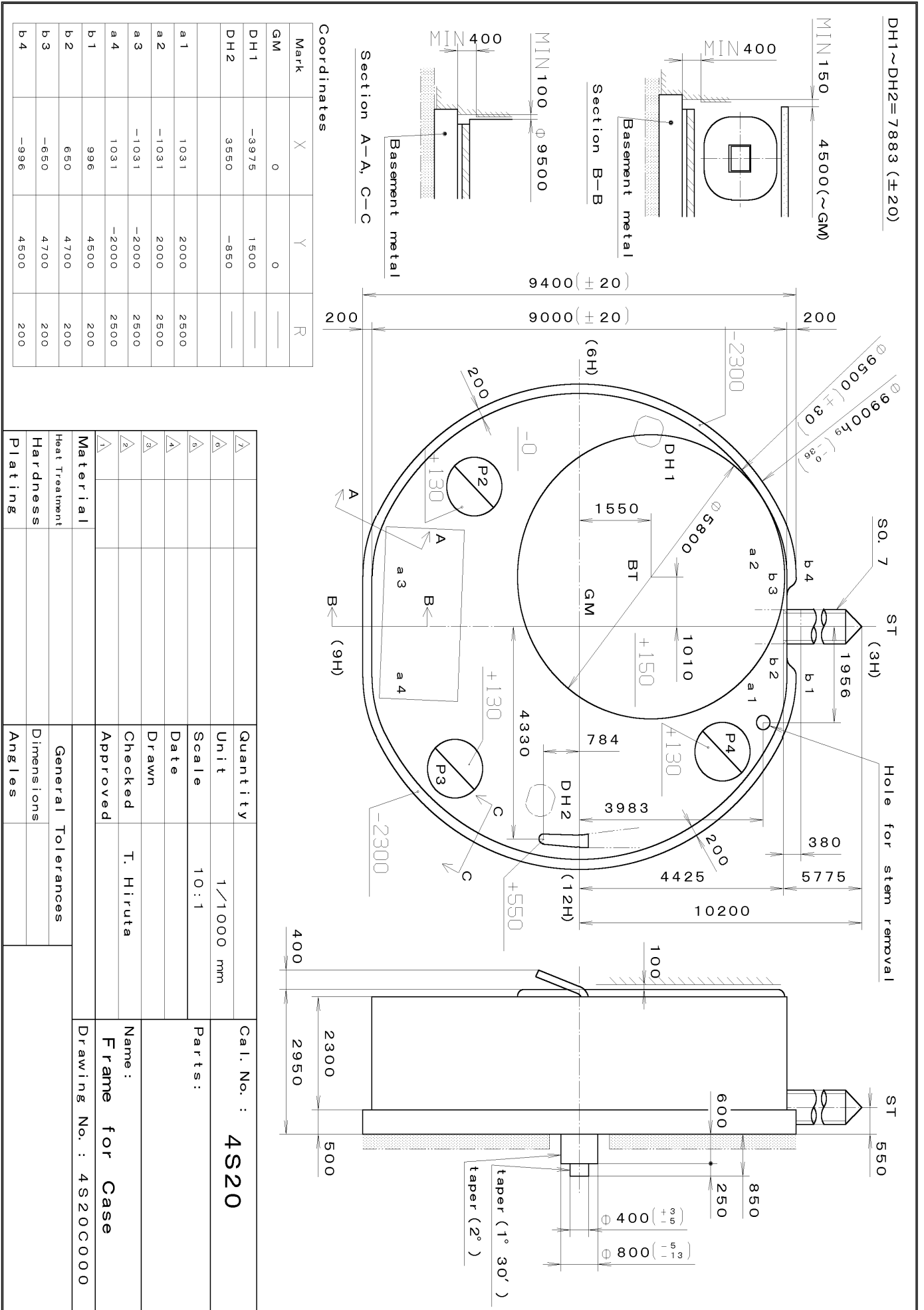


Original Package
1,000 pcs



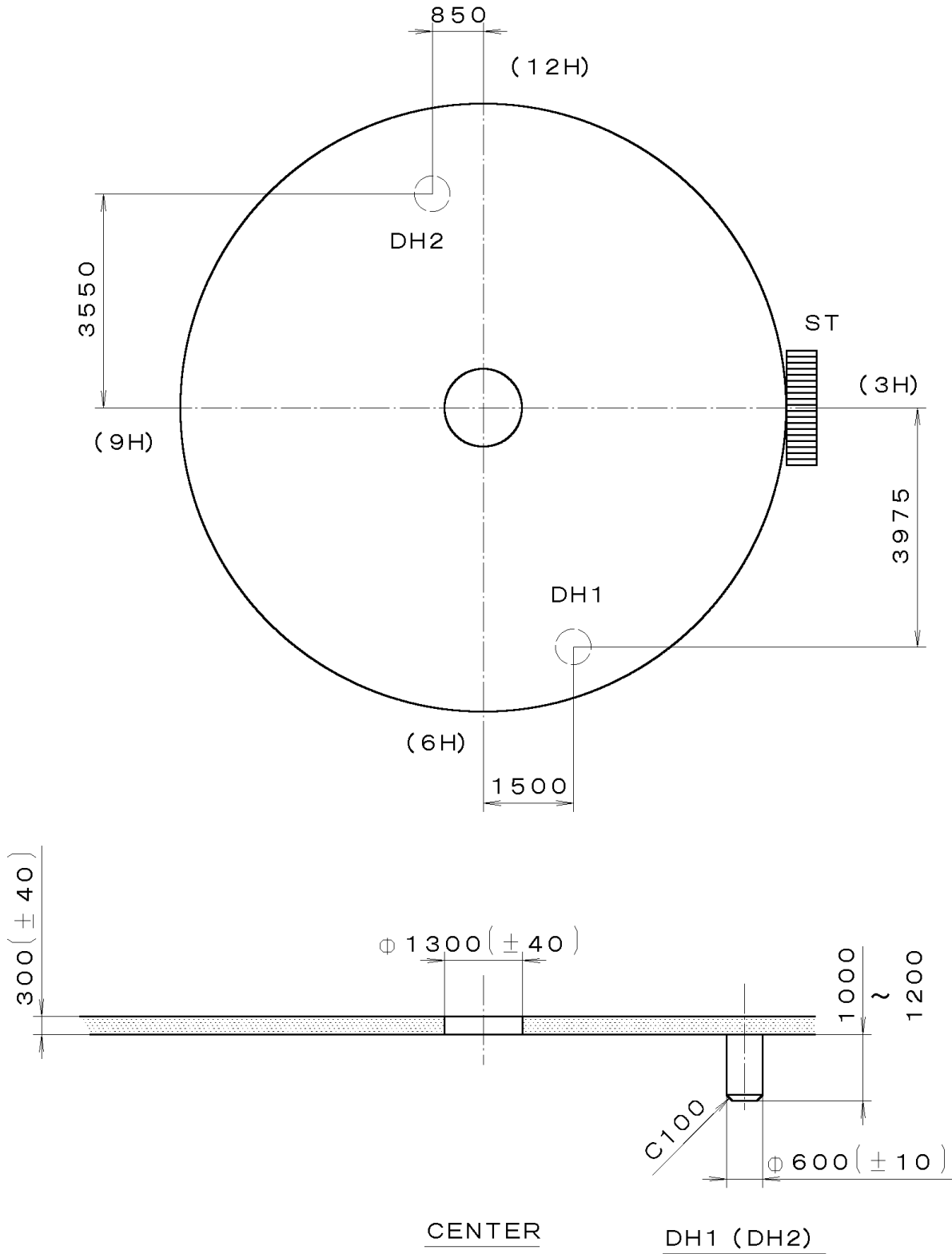
This drawing is provisional and subject to our reconfirmation and/or revision without notice.

*** TIPW 4S20 (01) *** (2100 1121) 00-06-26



This drawing is provisional and subject to our reconfirmation and/or revision without notice.

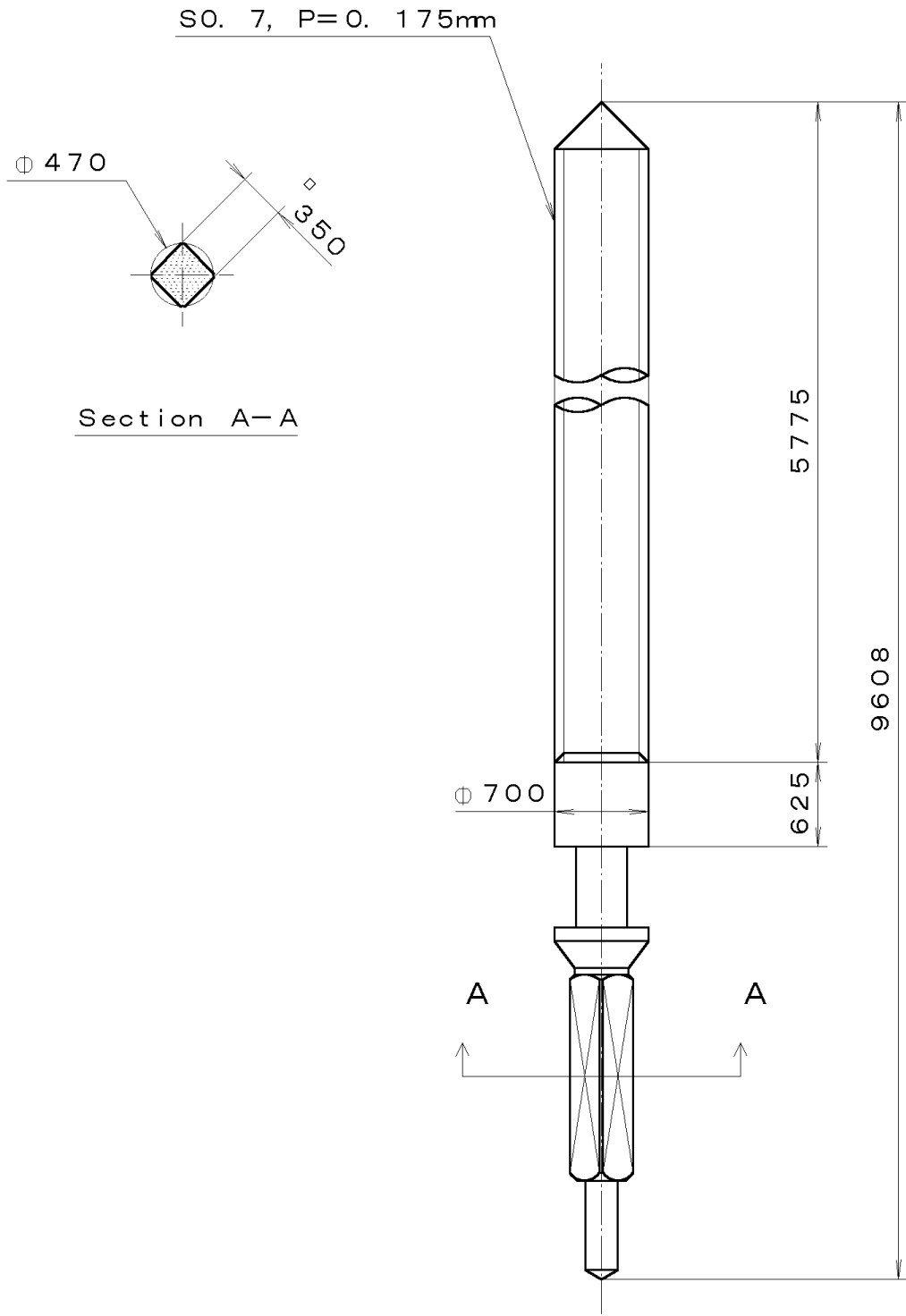
*** T I P W (01) *** (2100 1121) 00-06-14



7		Quantity		Cal. No. :	4S20-02A
6		Unit	1/1000 mm	Parts:	
5		Scale	10:1	Name:	Indications for Dial
4		Date		Drawing No. : 4S20D000	
3		Drawn			
2		Checked	T. Hiruta		
1		Approved			
Material					
Heat Treatment		General Tolerances			
Hardness		Dimensions			
Plating		Angles			

This drawing is provisional and subject to our reconfirmation and/or revision without notice.

065-398 (01) *** (2100 1121) 00-06-22



7			Quantity		Cal. No. :
6			Unit	1/1000 mm	
5			Scale	20:1	Parts:
4			Date		065-398
3			Drawn		Name:
2			Checked	T. Hiruta	SETTING STEM
1			Approved		Drawing No. : 3980S000
Material					
Heat Treatment		General Tolerances			
Hardness		Dimensions			
Plating		Angles			