

5R21 5R32

MIYOTA

Size
<ligne> **3 3/4'''**

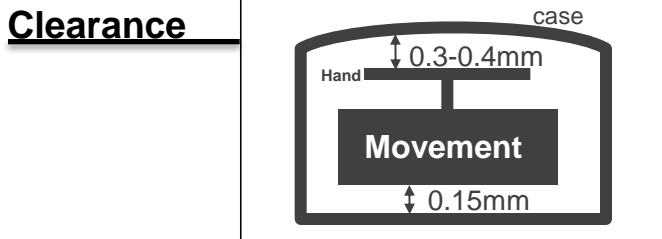
Height
<mm> **1.90**(5R32 2.00)

Accuracy
<per Month> **±20 sec**

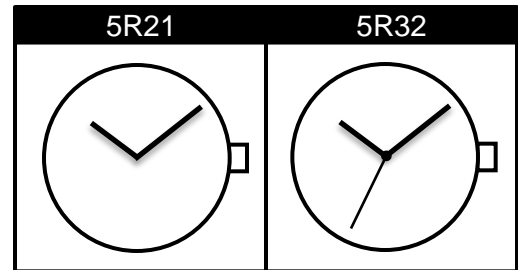
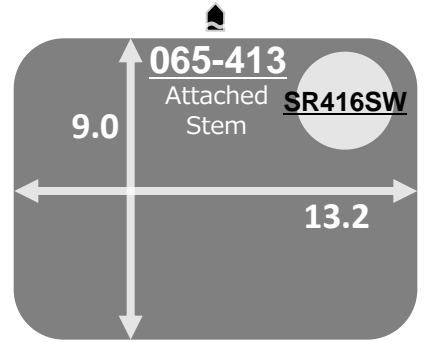
Battery Life
4 years(5R32 2 years)

Battery consumption could be minimum
by pulling out the stem (=Power-Saving)

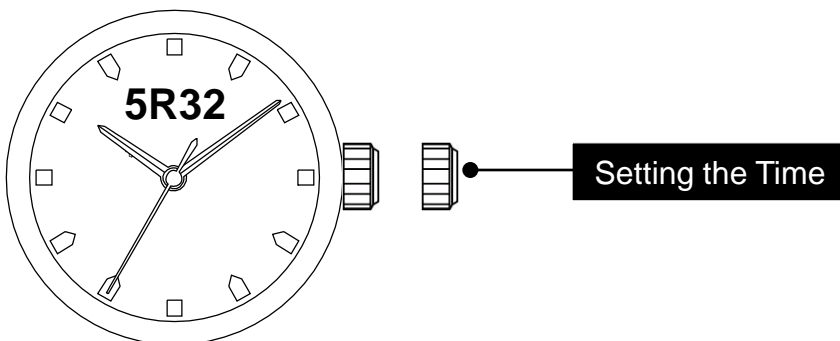
Balance Weight
<μN.m> 5R21 Minute **0.15**
5R32 Minute **0.30**
Second **0.015**



Original Package
1,000 pcs



High Hand Ver.
5R22

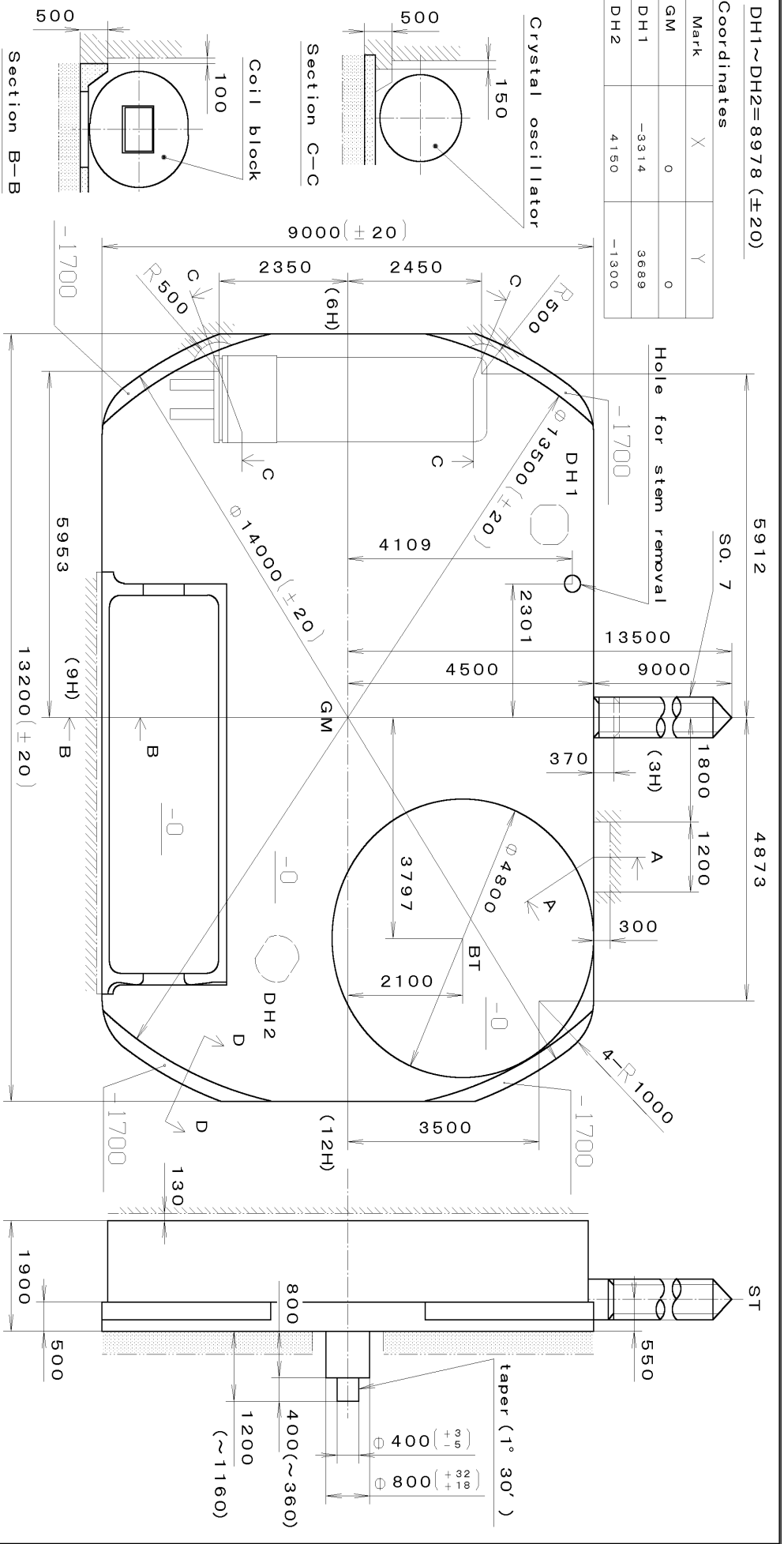


This drawing is provisional and subject to our reconfirmation and/or revision without notice.

*** TIPW 5R21 (01) *** (2100 1121) 00-06-26

DH1~DH2=8978 (±20)

Coordinates		
Mark	X	Y
GM	0	0
DH1	-3314	3689
DH2	4150	-1300

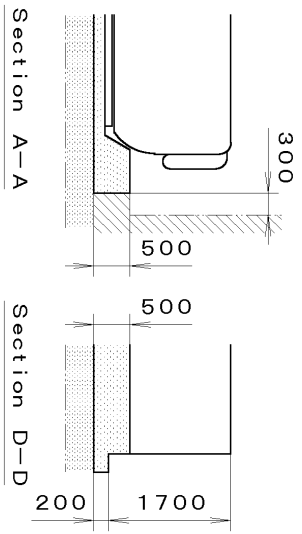
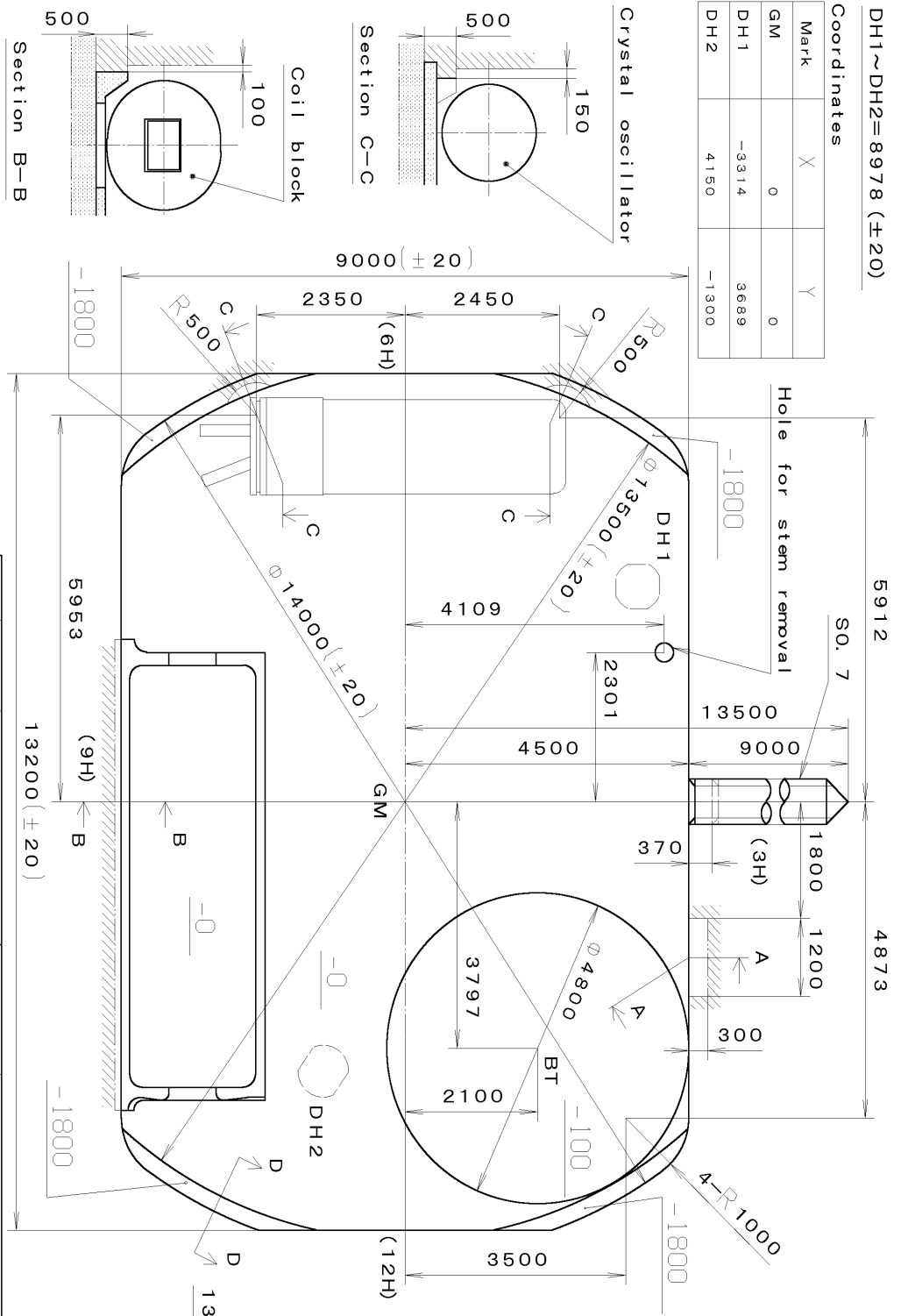


Quantity	Unit	1/1000 mm	Cal. No. : 5R21
△A	Unit	1/1000 mm	Parts : Name : Frame for Case Drawing No. : 5R21C000
△A	Scale	10 : 1	
△A	Date		
△A	Drawn		
△A	Checked	T. Hiruta	
△A	Approved		
Material			
Heat Treatment			
Hardness			
Plating			
General Tolerances			
Dimensions			
Angles			

DH1~DH2=8978 (±20)

Coordinates

Mark	X	Y
GM	0	0
DH1	-3314	3689
DH2	4150	-1300



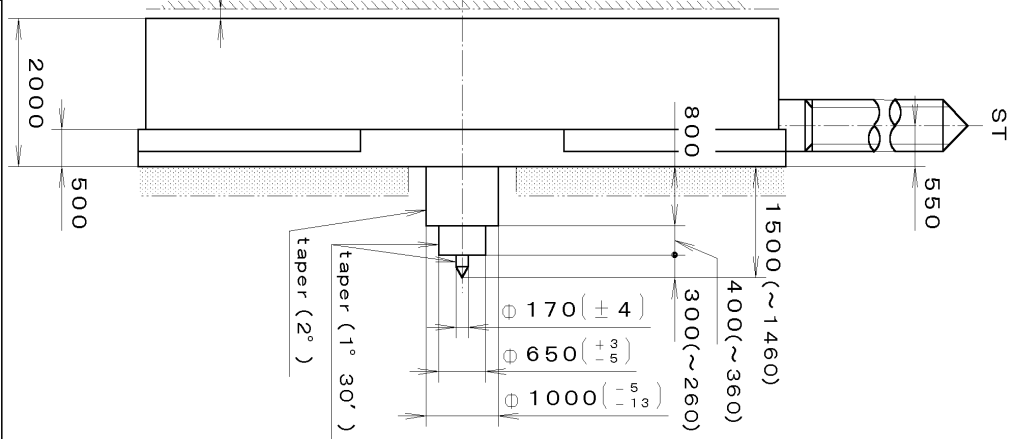
Quantity	Unit	1/1000 mm
Scale	10:1	
Date		
Drawn		
Checked	T. Hiruta	
Approved		
Material	General Tolerances	
Heat Treatment	Dimensions	
Hardness	Angles	
Plating		

Cal. No. : **5R32**

Parts :

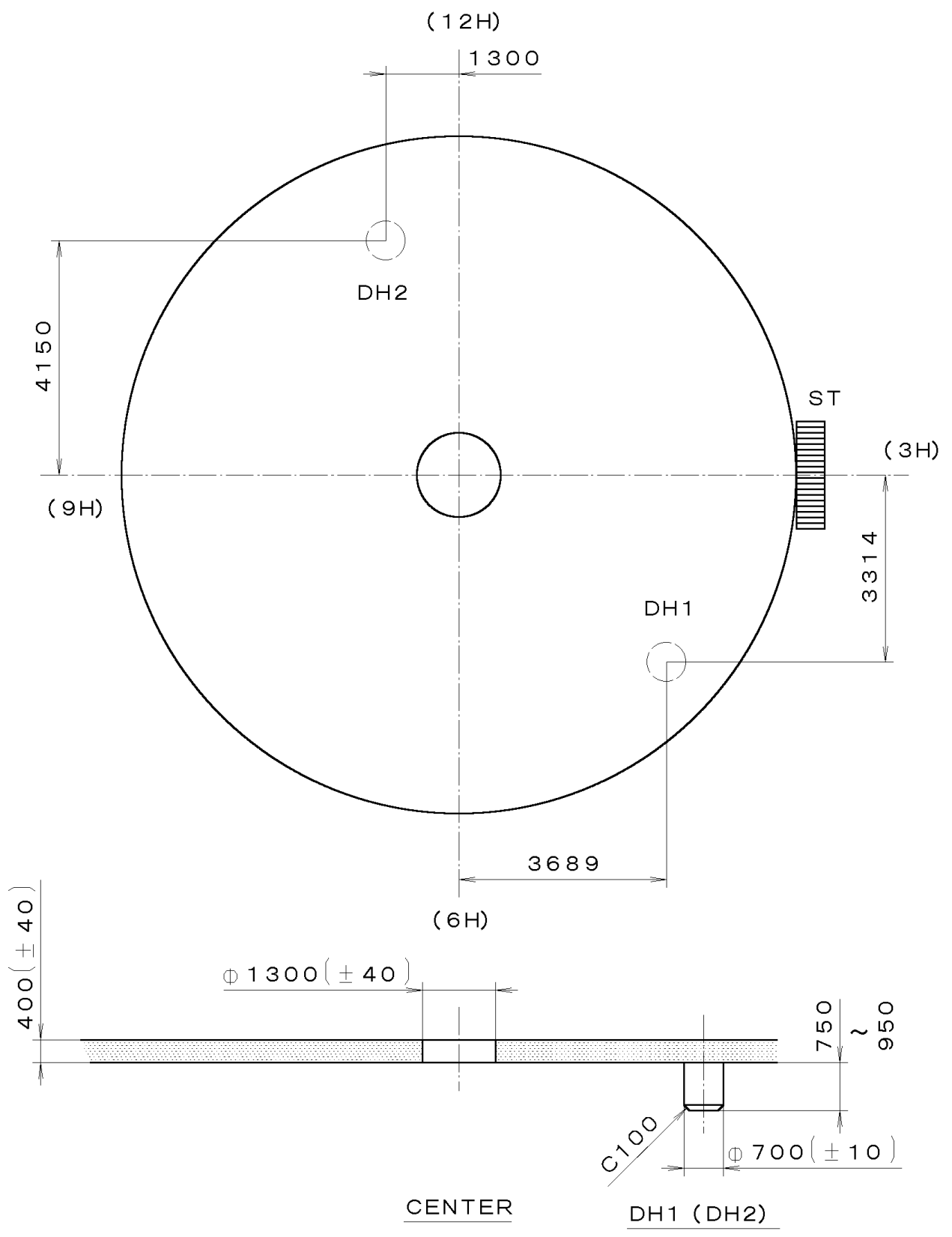
Name : **Frame for Case**

Drawing No. : **5R32C000**



This drawing is provisional and subject to our reconfirmation and/or revision without notice.

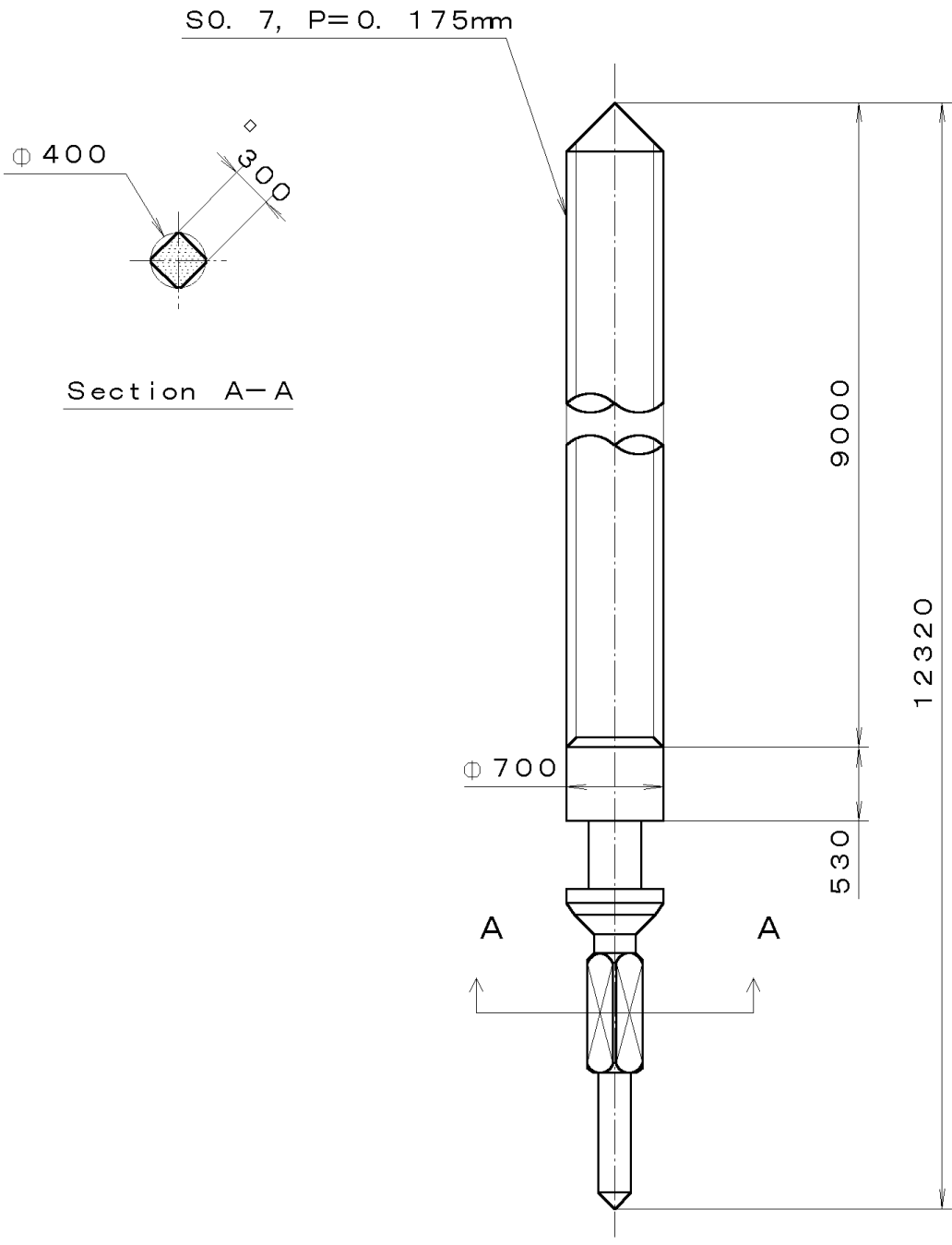
*** T I P W (01) *** (2100 1121) 00-06-15



7		Quantity		Cal. No. :	5R32-00A
6		Unit	1/1000 mm	Parts:	
5		Scale	10:1	Name:	Indications for Dial Drawing No. : 5R32D000
4		Date			
3		Drawn			
2		Checked	T. Hiruta		
1		Approved			
Material					
Heat Treatment		General Tolerances			
Hardness		Dimensions			
Plating		Angles			

This drawing is provisional and subject to our reconfirmation and/or revision without notice.

*** T I P W (01) *** (2100 1121) 00-06-22 065-413



7			Quantity		Cal. No. :
6			Unit	1/1000 mm	
5			Scale	20:1	Parts:
4			Date		065-413
3			Drawn		
2			Checked	T. Hiruta	Name:
1			Approved		SETTING STEM
Material					Drawing No. : 4130S000
Heat Treatment			General Tolerances		
Hardness			Dimensions		
Plating			Angles		