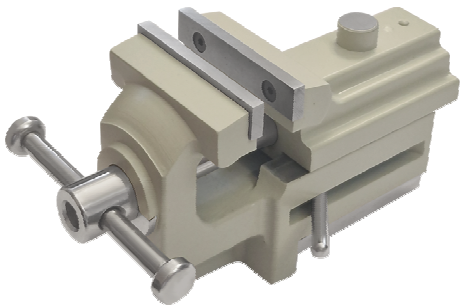
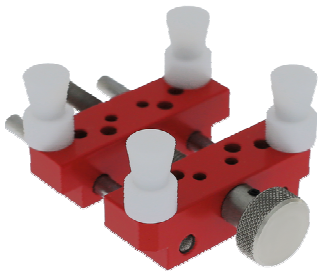


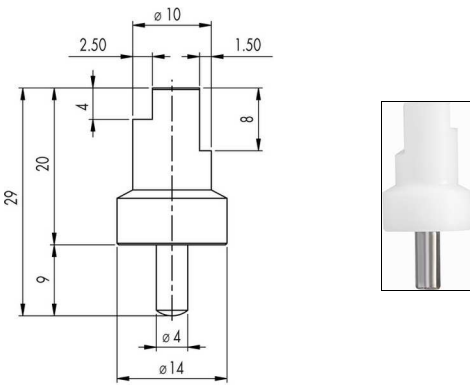
# 08



Case holders.



← 70 mm →

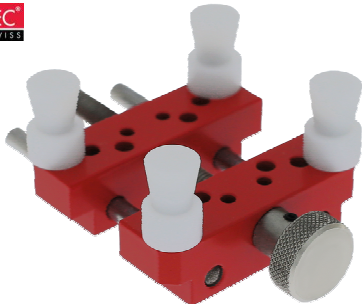


MSA	Maximal opening	Kg
07.374	70 mm	0.160

Adjustable aluminium case holder for all HOROTEC® presses.  
The stacked dies are fitted in reinforced pierced holes with a steel cylinder.  
They are particularly recommended for heavy-duty work.  
*Delivered with 4 Delrin® dies MSA07.374-A.*

Spare part :

MSA	Item	Kg
07.374-A	Stacked Delrin® die	0.005



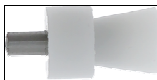
← 70 mm →

MSA	Maximal opening	Kg
07.360-A	70 mm	0.110

Adjustable aluminium case holder for all HOROTEC® presses.  
*Delivered with 4 Delrin® dies MSA07.360-C.*

Spare part :

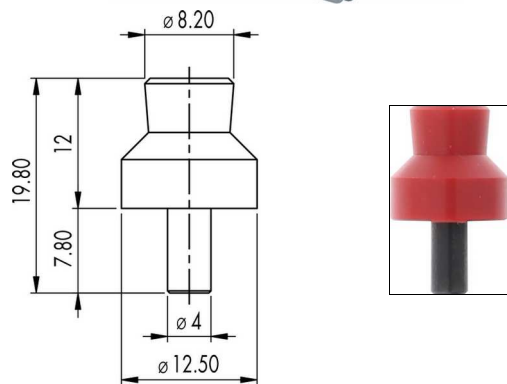
MSA	Item	Kg
07.360-c	Delrin® die (new version)	0.015



Accessory :

MSA	Item	Kg
07.360-B	Delrin® die (old version)	0.015





MSA	Size	Kg
08.001	65 x 45 mm	0.073

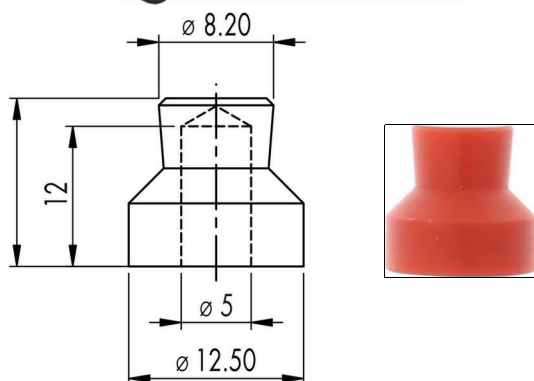
Universal synthetic material and metal case holder, with 4 Nylon® dies MSA08.001-A.

**Spare part :**

MSA	Item	Kg
08.001-A	Nylon® die	0.003



*See chapter PERF.*



MSA	Size	Kg
08.002	83 x 65 mm	0.192

Metal case holder, with 4 Nylon® dies MSA08.002-A, driven on a 5 mm axle.

**Spare part :**

MSA	Item	Kg
08.002-A	Nylon® die	0.001



← 20...60 mm →

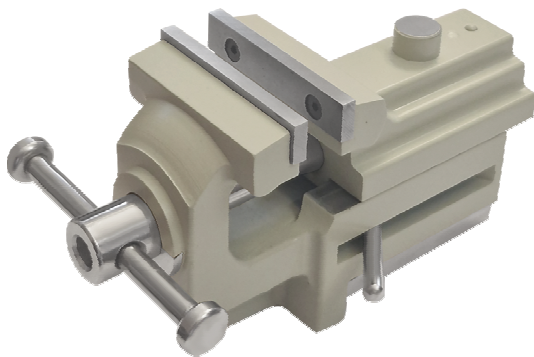
MSA	Size	Maximal opening	Kg
08.010	Ø 115 x 65 mm	20...60 mm	0.396

Universal synthetic material case holder, with 4 Delrin® dies and 1 washer MSA08.010-A.

**Spare part :**

MSA	Item	Kg
08.010-A	Delrin® die + 1 washer	0.012

**Vices.**



← 35 mm →

MSA	Size	Maximal opening	Kg
08.104	120 x 65 mm	35 mm	1.250

Vice with fixing brass plate. The plate remains fixed on the bench allowing the vice to be easily settled or removed thanks to the side lever. Jaws width 50 mm.

**Spare parts :**

MSA	Item	Kg
08.104-A	Fixing brass plate, 55 x 38 x 7 mm	0.098
08.104-B	Oak vice wood, 77 x 18 x 14 mm	0.014
08.104-C	Delrin cover for fixing plate	0.005



MSA	Size	Maximal opening	Kg
24.113	70 x 95 mm	60 mm	0.565

Grey bench clamp for vice fixing. Compatible with vice MSA08.104. Delivered without fixing brass plate.

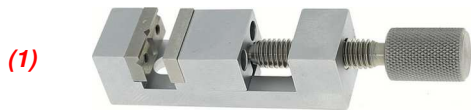


MSA	Size	Kg
24.405	60 x 60 x 50 mm	0.150

Wooden vice base. Easy mounting on a bench thanks to a screw fitted with a detachable handle. Compatible with vice MSA08.104. Delivered without fixing brass plate.

**Accessory :**

MSA	Item	Kg
24.405-01	Metal insert M6	0.008



← 0...15 mm →



MSA		Size	Maximal opening	Kg
08.502	(1)	14 x 14 x 67 mm	0...15 mm	0.075

Mini hand vice. Hardened rectified steel jaws (1 of the jaws is equipped with maintaining grooves).

Jaws width 14 mm.

**Accessory :**

MSA		Item	Kg
08.503	(2)	Revolving base Ø 50 x 37 mm	0.149



MSA		Size	Kg
10.519		50 x 45 x 40 mm	0.105

Bracelet holder vice with screw.

- Maximum bracelet thickness : 10 mm
- Useful dimensions : length 49 mm and height 24 mm
- Suitable for presses MSA10.499 and 10.500 illustrated on page 10-2.



MSA		Size	Kg
10.513		55 x 35 x 22 mm	0.050

Bracelet holder vice with screw.

- Maximum bracelet thickness : 9.50 mm
- Useful dimensions : length 35 mm and height 12 mm
- Suitable for presses MSA10.499 and 10.500 illustrated on page 10-2.

