

Size
<ligne> **13 ½'''**

Height
<mm> **4.13**

Accuracy
<per Month> **±20 sec**

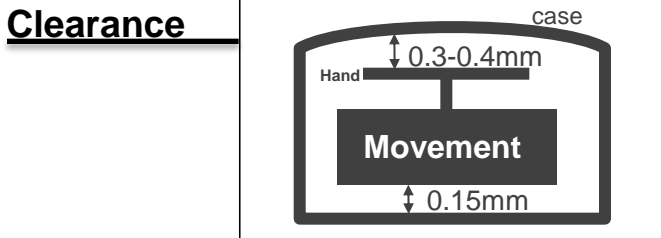
Battery Life
5 years

*60 minutes chronograph operation per day

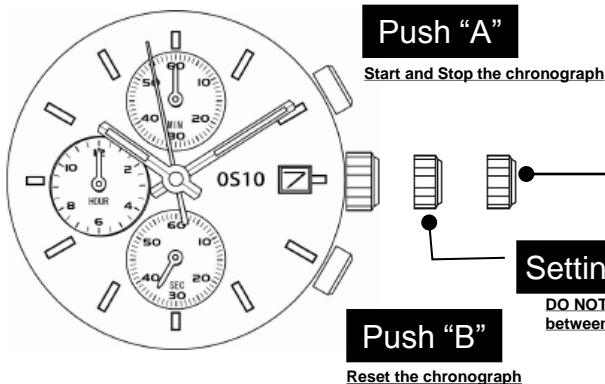
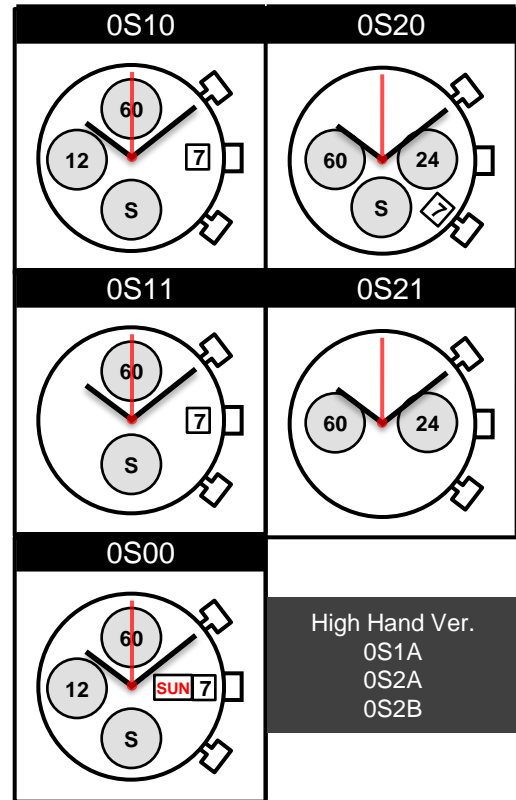
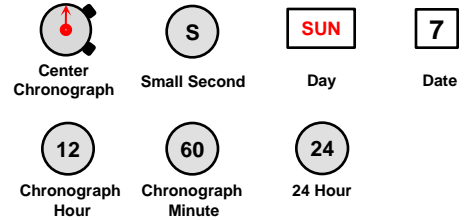
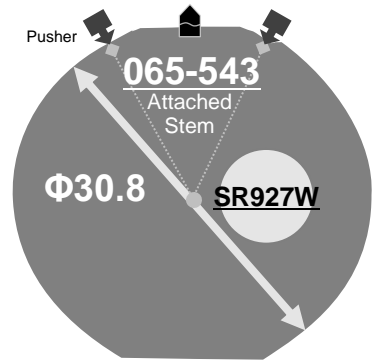
Battery consumption could be minimum by pulling out the stem (=Power-Saving)

Balance Weight
<µN.m>
Minute **0.40**
Second **0.11**
Small **0.02**

Featured by Shock Detection



Original Package
500 pcs



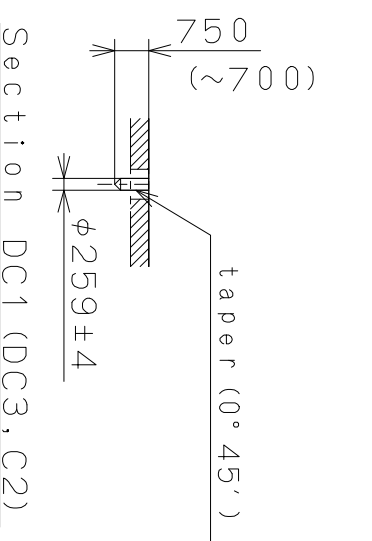
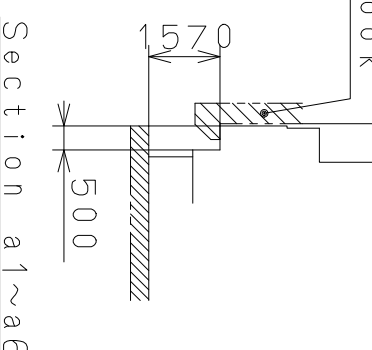
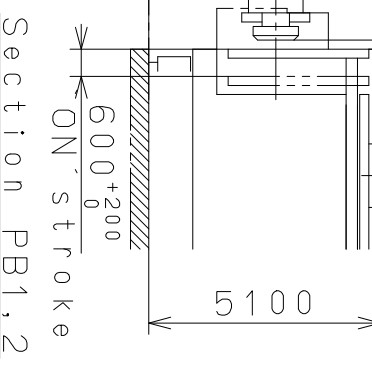
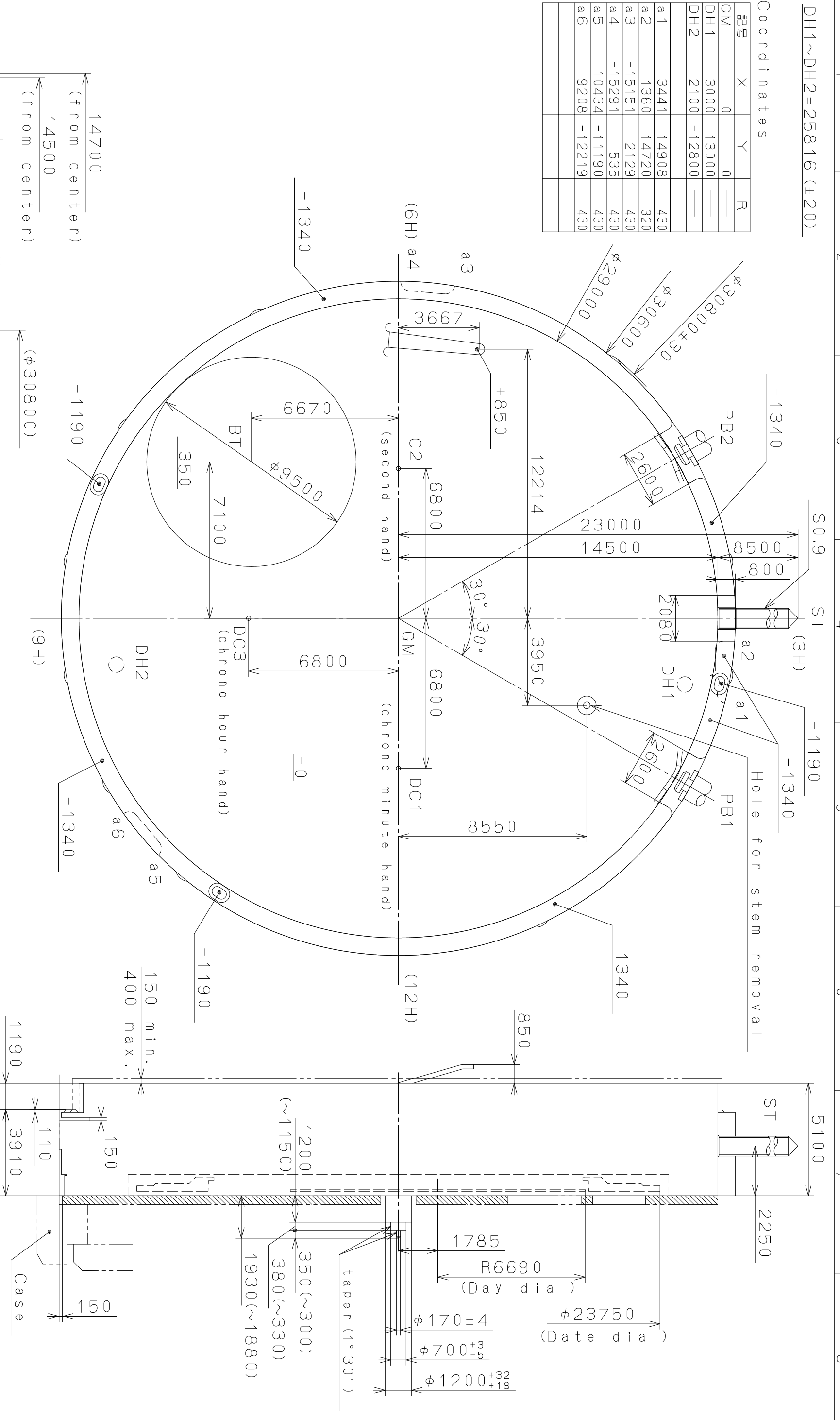
Set CHRONOGRAPH hands to reset

Push A to reset the hands position to the ZERO position. And continue to push A to put them forward

DH1~DH2=25816 (±20)

Coordinates

記号	X	Y	R
GM	0	0	—
DH1	3000	13000	—
DH2	2100	-12800	—
a1	3441	14908	430
a2	1360	14720	320
a3	-15151	2129	430
a4	-15291	535	430
a5	10434	-11190	430
a6	9208	-12219	430



Mark	Date	Description	Appro.	Checked	Drawn	Name:
Alterations						N. Suzuki
Material						Frame for Case
Heat Treatment						Drawing No.: 0S00C002
Hardness						
Plating						

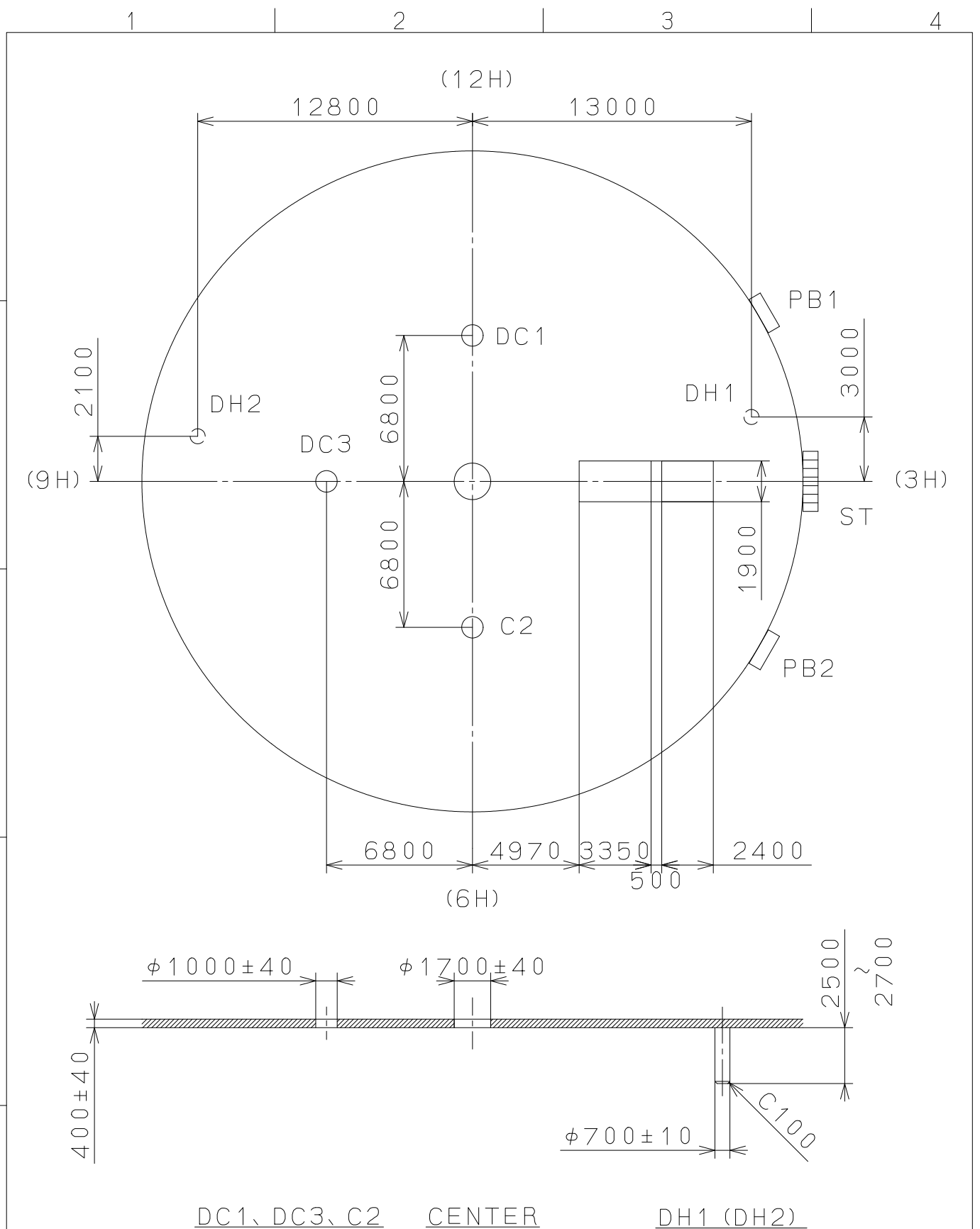
Quantity	Unit	Cal. NO.:
1	1/1000 mm	OS00

General Tolerances	Dimensions	Angles

MIYOTA
CITIZEN WATCH CO., LTD. TOKYO, JAPAN

2009/07/30 (10:34:48)

This drawing is provisional and subject to our reconfirmation and/or revision without notice.



DC1, DC3, C2

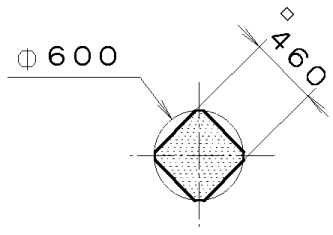
CENTER

DH1 (DH2)

△			Quantity		Cal.NO.:
△			Unit	1 / 1000 mm	OS00-10A
△			Scale	4 : 1	Parts No.:
△			Date		
△			Drawn		
Mark	Date	Description	Appr.	Checked	Name:
		Alterations	Approved	N. Suzuki	Indications for Dial
Material					Drawing No.: OS00D000
Heat Treatment			General Tolerances		MIYOTA
Hardness			Dimensions		
Plating			Angles		
					CITIZEN WATCH CO., LTD. TOKYO, JAPAN

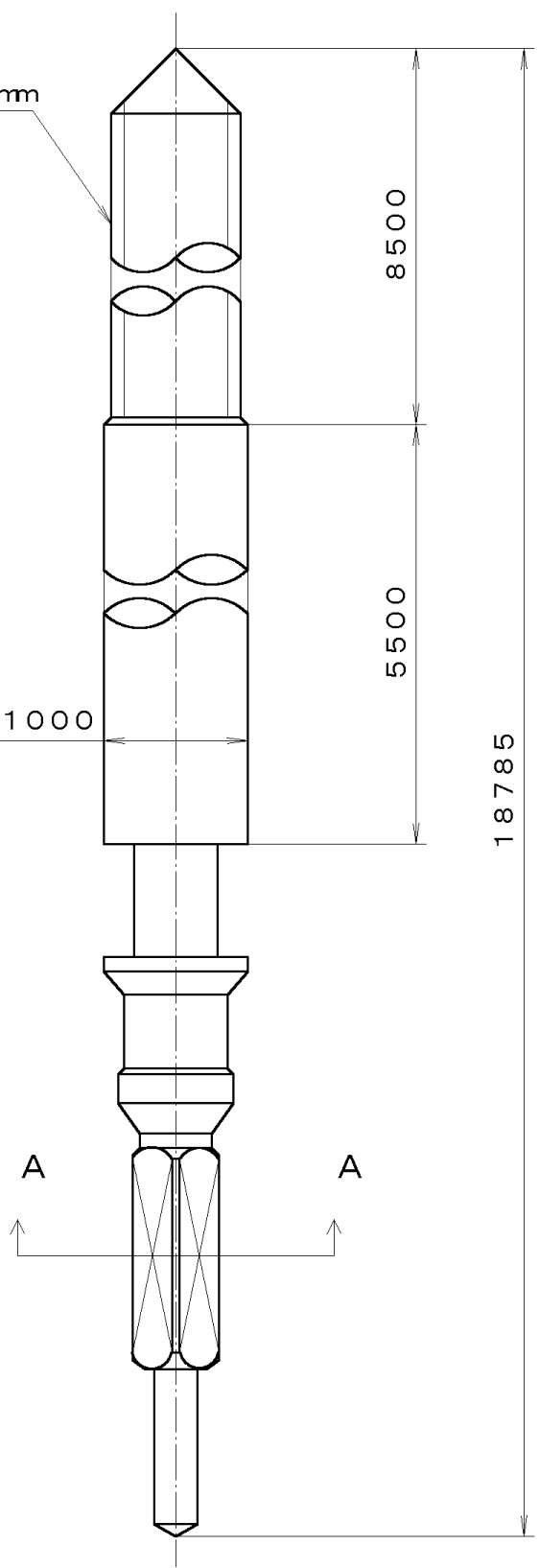
This drawing is provisional and subject to our reconfirmation and/or revision without notice.

*** T I P W (01) *** (2100 1121) 00-07-06



S.O. 9, P=0. 225mm

Φ 1000



7			Quantity		Cal. No. :
6			Unit	1/1000 mm	
5			Scale	20:1	Parts:
4			Date		065-453
3			Drawn		
2			Checked	T. Hiruta	Name:
1			Approved		SETTING STEM
Material					Drawing No. : 4530S000
Heat Treatment			General Tolerances		CITIZEN WATCH CO.,LTD. TOKYO, JAPAN
Hardness			Dimensions		
Plating			Angles		