

MLJP Manufacture
LA JOUX-PERRET

AUTOMATIC
SERIES

G100



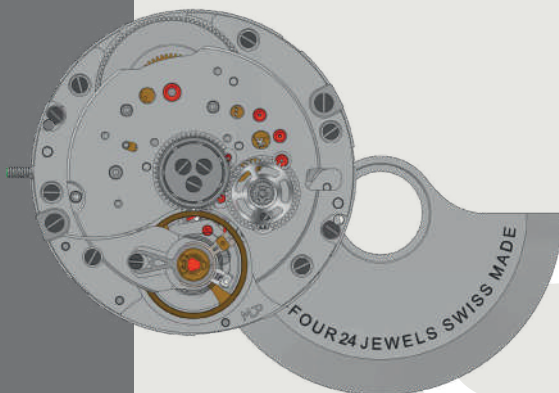
DIAMETER	11 1/2'''
DIAMETER (mm)	ø 25.60mm
THICKNESS	4.45mm
VIBRATIONS	4Hz / 28'800a/h
JEWELS	24
POWER RESERVE	68h

AUTOMATIC SERIES
G100

FINISHINGS

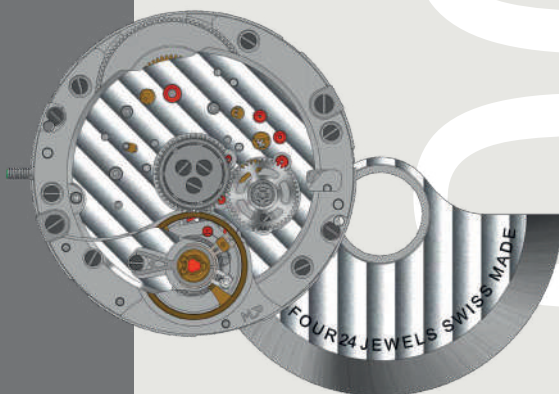
STANDARD

Non decorated version
palladium coating
Accuracy setting on 3 positions
Precision 12s \pm 12s/day



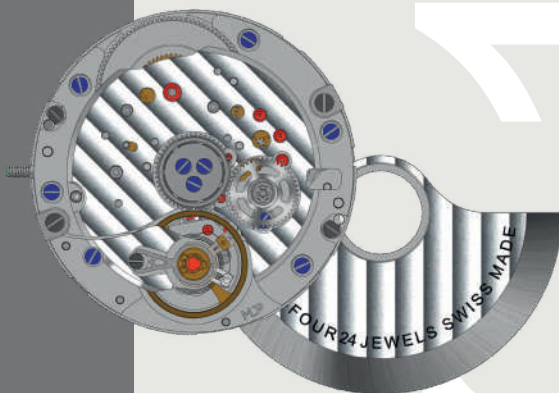
SOIGNÉ

Geneva stripes on the bridges
Rotor Geneva stripes / suncoiled bevel
palladium coating
Accuracy setting on 4 positions
Precision 7s \pm 7s/day



SOIGNE BLUE SCREWS

Geneva stripes on the bridges
Rotor Geneva stripes / suncoiled bevel
palladium coating
Accuracy setting on 4 positions
Precision 7s \pm 7s/day
Blue screws

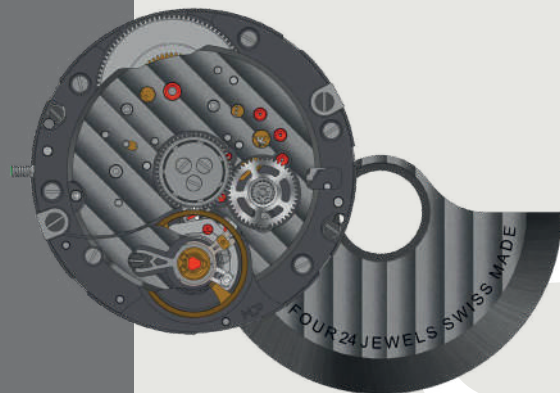


AUTOMATIC SERIES
G100

FINISHINGS

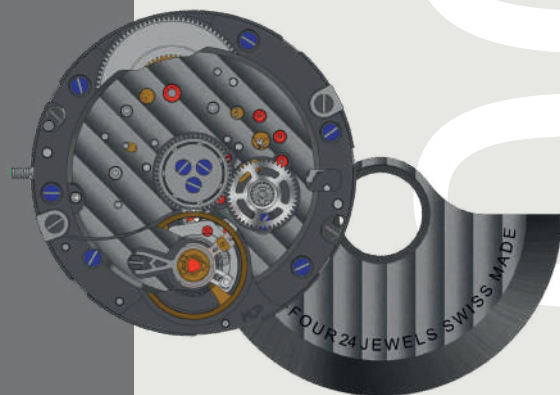
SOIGNÉ GUNMETAL

Geneva stripes on the bridges
Rotor Geneva stripes / suncoiled bevel
anthracit grey galvanic coating
Accuracy setting on 4 positions
Precision $7s \pm 7s/day$



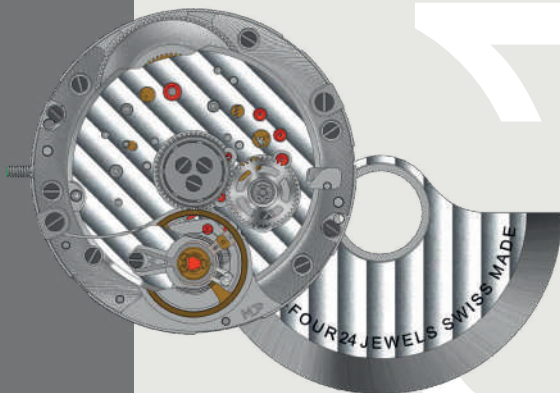
SOIGNÉ GUNMETAL & BLUE SCREWS

Geneva stripes on the bridges
Rotor Geneva stripes / suncoiled bevel
anthracit grey galvanic coating
Accuracy setting on 4 positions
Precision $7s \pm 7s/day$
Blue screws



TOP

Geneva stripes on the bridges,
Inferior level (screws) snailed
Rotor Geneva stripes / suncoiled bevel
Snailing on the barrel drum
palladium coating
Accuracy setting on 5 positions
Precision $4s \pm 4s/day$

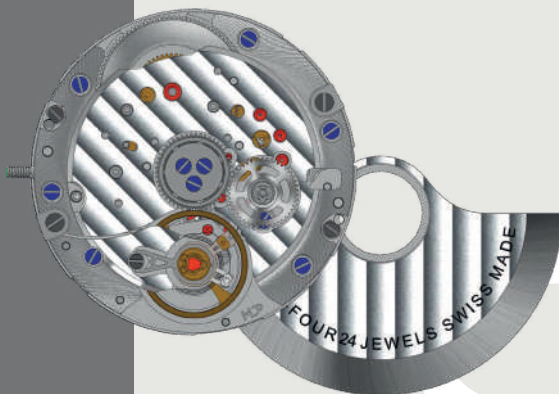


AUTOMATIC SERIES
G100

FINISHINGS

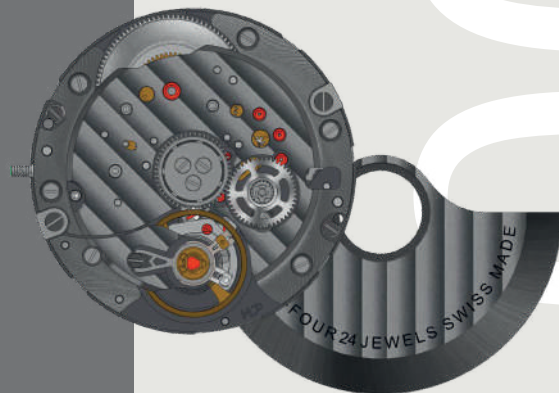
TOP BLUE SCREWS

Geneva stripes on the bridges,
Inferior level (screws) snailed
Rotor Geneva stripes / suncoiled bevel
Snailing on the barrel drum
Palladium coating
Accuracy setting on 5 positions
Precision $4s \pm 4s/day$
Blue screws



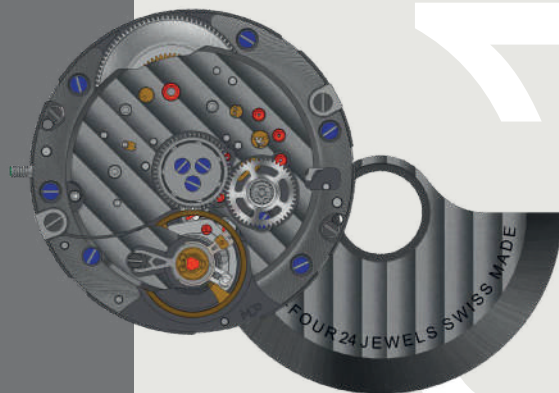
TOP GUNMETAL

Geneva stripes on the bridges,
Inferior level (screws) snailed
Rotor Geneva stripes / suncoiled bevel
Snailing on the barrel drum
anthracit grey galvanic coating
Accuracy setting on 5 positions
Precision $4s \pm 4s/day$



TOP GUNMETAL & BLUE SCREWS

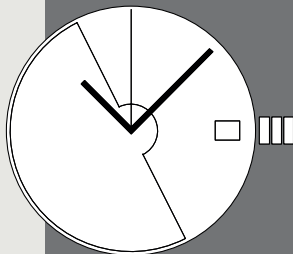
Geneva stripes on the bridges,
Inferior level (screws) snailed
Rotor Geneva stripes / suncoiled bevel
Snailing on the barrel drum
anthracit grey galvanic coating
Accuracy setting on 5 positions
Precision $4s \pm 4s/day$
Blue screws



AUTOMATIC SERIES
G100

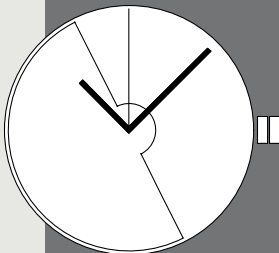
G100

Automatic 3 hands movement
Date indicator
ø11 1/2" / 25.60mm
Thickness 4.45mm
Vibrations 4Hz, 28'800alt/hour
24 jewels
Power reserve 68 hours
Available hand-fittings H2, H3, H4, H7
Date disc at 3' 4.5' 6' black or white



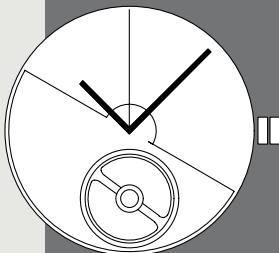
G101

Automatic 3 hands movement
No date
ø11 1/2" / 25.60mm
Thickness 4.45mm
Vibrations 4Hz, 28'800alt/hour
24 jewels
Power reserve 68 hours
Available hand-fittings H2, H3, H4, H7
Stem 2 positions



G1A0

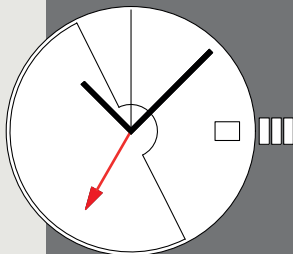
Open balance at 6' on the dial side
Automatic 3 hands movement
No date
ø11 1/2" / 25.60mm
Thickness 4.45mm
Vibrations 4Hz, 28'800alt/hour
24 jewels
Power reserve 68 hours
Available hand-fittings H2, H3, H4, H7
Stem 2 positions



AUTOMATIC SERIES
G100

G110

Automatic 4 hands movement
Central GMT 24H indicator by hand
Date indicator / or no date stem 2 pos.
ø11 1/2" / 25.60mm
Thickness 5.45mm
Vibrations 4Hz, 28'800alt/hour
24 jewels
Power reserve 68 hours
Available hand-fittings H7, H8
Date disc at 3' black or white



G120

Automatic central 2 hands movement
& small second at 6' (7.6mm from center)
Date indicator / or no date stem 2 pos.
ø11 1/2" / 25.60mm
Thickness 5.45mm
Vibrations 4Hz, 28'800alt/hour
29 jewels
Power reserve 60 hours
Available hand-fittings H7, H8
Date disc at 3' black or white

